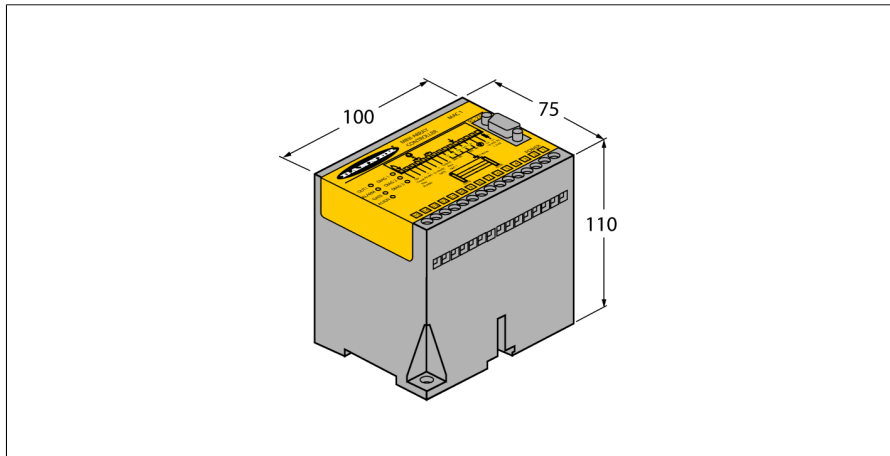


**measuring light screen
controller
MACP-1**



- 2x pnp transistor outputs (normally open)
- Operating voltage 16...30 VDC
- Protection class IP20
- adjustment via software (included in delivery)

Functional principle

Measuring light screens are ideally suited for precise detection and inspection tasks such as product profiling, sizing, edge and centre guiding, hole and parts detection and the like. Each system consists of an emitter, receiver and a controller module, which is equipped with several switching and analogue outputs, depending on the specific version. The device also enables data transmission via RS232 or R485, either in a binary or ASCII code format. The scan times depend on the height of the measuring array and the adjusted scan mode. Detailed information can be taken from the instruction manual.

| | |
|--------------------------------|--|
| Type code | MACP-1 |
| Ident no. | 3047820 |
| Operating mode | light screen |
| Ambient temperature | -20...+70 °C |
| Operating voltage | 16...30VDC |
| No-load current I ₀ | ≤ 750 mA |
| Output function | NO contact, 2 x PNP |
| Design | rectangular, Mini Array |
| Dimensions | 110 x 100 x 75 mm |
| Housing material | plastic, PC |
| Connection | removable terminal block, reverse polarity protected, screw connection |
| Protection class | IP20 |
| Switching state | LED red |
| Error indication | LED red |