

65MM TERMINAL BLOCK PEN FOR ET200S HIGH  
FEATURE STARTER,  
WITH CONN. FOR LOADS



**General technical data:**

<b>Product designation</b>		Terminal block M65-PEN-S
<b>Product description</b>		In combination with TM-DS65-S31 / TM-RS130-S31
<b>Mounting height</b>	mm	43.5
<b>Installation width</b>	mm	65
<b>Mounting depth</b>	mm	42

**Mounting/fixing:**

<b>Dimension de la tête de tournevis</b>		Standard screwdriver Size 2
<b>Shape of the screwdriver tip</b>		Pozidriv 2
<b>Tightening torque</b>		
<ul style="list-style-type: none"> <li>• with screw-type terminals</li> </ul>	N·m	2 ... 2.5

**Further information:**

**Information- and Downloadcenter (Catalogs, Brochures,...)**

<http://www.siemens.com/industrial-controls/catalogs>

**Industry Mall (Online ordering system)**

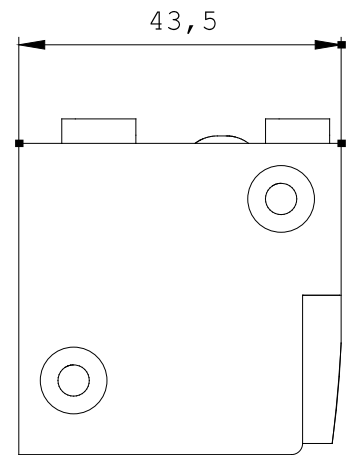
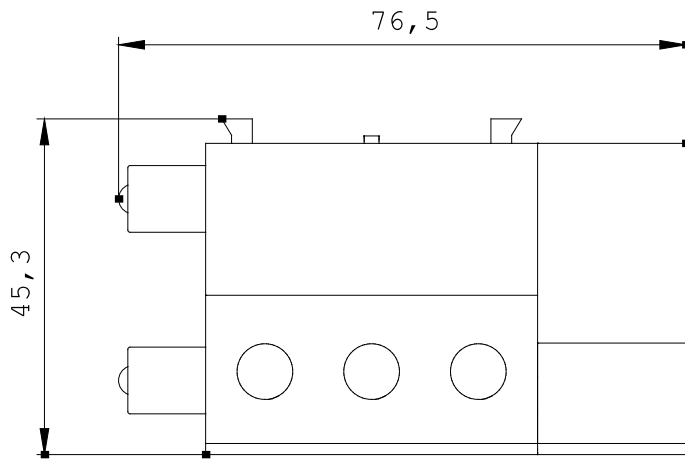
<http://www.siemens.com/industrial-controls/mall>

**Cax online generator:**

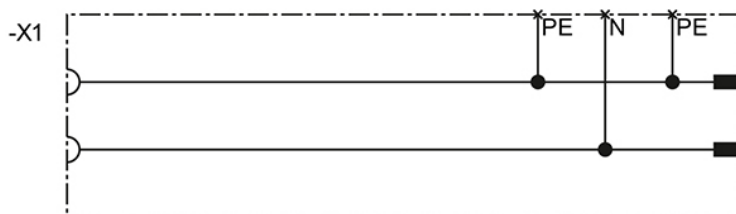
<http://www.siemens.com/cax>

**Service&Support (Manuals, Certificates, Characteristics, FAQs,...)**

<http://support.automation.siemens.com/WW/view/en/3RK1903-2AC10/all>



\pi42.5;  
\pi27.375;3RK190:



last change:

Oct 21, 2013