

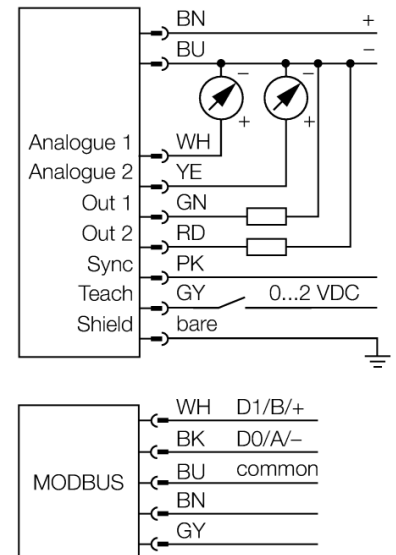
measuring light screen  
receiver  
EA5R300PIXMODQ



- Male M12 x 1, 8-pin
- Scan field 300 mm
- Protection class IP65
- Resolution 5 mm
- Max. range 4 m
- Operating voltage 12...30 VDC
- 2 x PNP, output
- 2 x analog output 4...20 mA
- Modbus RTU via RS485, female M12 x 1, 5-pin
- Mounting bracket EZA-MBK-11 (for all types) and EZA-MBK-12 (only for ranges ≥ 1050 mm) incl. in delivery

|                                |                          |
|--------------------------------|--------------------------|
| <b>Type code</b>               | EA5R300PIXMODQ           |
| Ident no.                      | 3077528                  |
| <b>Operating mode</b>          | light screen             |
| Optical resolution             | 5 mm                     |
| Range                          | 400...4000 mm            |
| Detection zone height          | 300 mm                   |
| Ambient temperature            | -40...+70 °C             |
| <b>Operating voltage</b>       | 12...30VDC               |
| DC rated operational current   | ≤ 375 mA                 |
| No-load current I <sub>0</sub> | ≤ 400 mA                 |
| Output function                | 2x NO, PNP/analog output |
| Current output                 | 4...20mA                 |
| Load resistance                | ≤ 1350 Ω                 |
| Readiness delay                | ≤ 2 s                    |
| Response time                  | < 5 ms                   |
| <b>Design</b>                  | rectangular, EZ-Array    |
| Dimensions                     | 45.2 x 36 x 379 mm       |
| Housing material               | metal, AL, anodized      |
| Lens                           | plastic, acrylic         |
| Connection                     | male, M12 x 1            |
| Protection class               | IP65                     |
| <b>Power-on indication</b>     | LED red                  |
| Error indication               | LED red (2-color LED)    |
| Excess gain indication         | LED red                  |

**Wiring diagram**



**Functional principle**

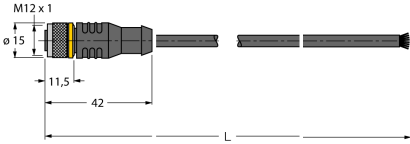
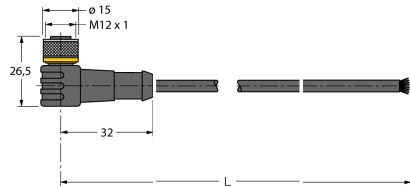
The measuring light screen EZ-Array is ideal for sizing and product profiling, edge and centre guiding, sag and hole detection as well as parts counting. The two-part light screen is easily installed. The electronics is incorporated in the receiver housing and can be configured via 6 DIP switches. For special functions, the screen can be adjusted via PC with the enclosed software. To synchronize emitter and receiver just interconnect the sync-outputs of both.

measuring light screen  
receiver  
EA5R300PIXMODQ

**Accessories**

| Type code  | Ident no. | Description   | Dimension drawing   |
|------------|-----------|---|---|
| EZA-MBK-11 | 3071470   | Mounting bracket, steel, black-finished, for EZ-ARRAY and EZ-SCREEN standard and cascade 14 & 30 mm |    |
| EZA-MBK-12 | 3071756   | Mounting bracket, steel, black-finished, for EZ-ARRAY and EZ-SCREEN standard and cascade 14 & 30 mm |    |
| EZA-MBK-20 | 3072587   | Mounting bracket, steel, black-finished, for EZ-ARRAY and EZ-SCREEN standard 14 & 30 mm             |  |

**Wiring accessories**

| Type code      | Ident no. | Description  | Dimension drawing   |
|----------------|-----------|--|---|
| EZA-USB-485-01 | 3083025   | USB-RS485 converter cable, male M12 x 1 on male USB type A   |  |
| RKC8T-2/TEL    | 6625130   | Connection cable, female M12, straight, 8-pin, cable length: 2 m; sheath material: PVC, sheath color: black, cULus approved, RoHS conform, protection class IP67 |   |
| WKC8T-2/TEL    | 6625133   | Connection cable, female M12, angled, 8-pin, cable length: 2 m; sheath material: PVC, sheath color: black, cULus approved, RoHS conform, protection class IP67   |  |