

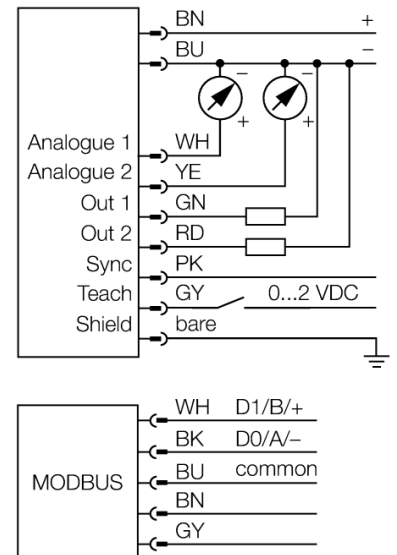
measuring light screen  
receiver  
EA5R900PIXMODQ



- Male M12 x 1, 8-pin
- Scan field 900 mm
- Protection class IP65
- Resolution 5 mm
- Max. range 4 m
- Operating voltage 12...30 VDC
- 2 x PNP, output
- 2 x analog output 4...20 mA
- Modbus RTU via RS485, female M12 x 1, 5-pin
- Mounting bracket EZA-MBK-11 (for all types) and EZA-MBK-12 (only for ranges ≥ 1050 mm) incl. in delivery

<b>Type code</b>	EA5R900PIXMODQ
Ident no.	3077532
<b>Operating mode</b>	light screen
Optical resolution	5 mm
Range	400...4000 mm
Detection zone height	900 mm
Ambient temperature	-40...+70 °C
<b>Operating voltage</b>	12...30VDC
DC rated operational current	≤ 375 mA
No-load current I <sub>0</sub>	≤ 400 mA
Output function	2x NO, PNP/analog output
Current output	4...20mA
Load resistance	≤ 1350 Ω
Readiness delay	≤ 2 s
Response time	< 13.6 ms
<b>Design</b>	rectangular, EZ-Array
Dimensions	45.2 x 36 x 978 mm
Housing material	metal, AL, anodized
Lens	plastic, acrylic
Connection	male, M12 x 1
Protection class	IP65
<b>Power-on indication</b>	LED red
Error indication	LED red (2-color LED)
Excess gain indication	LED red

**Wiring diagram**

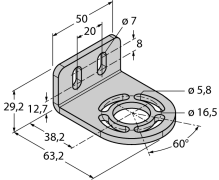
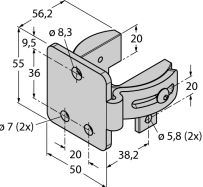
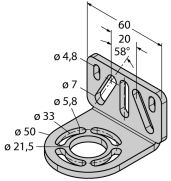


**Functional principle**

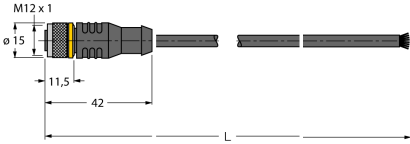
The measuring light screen EZ-Array is ideal for sizing and product profiling, edge and centre guiding, sag and hole detection as well as parts counting. The two-part light screen is easily installed. The electronics is incorporated in the receiver housing and can be configured via 6 DIP switches. For special functions, the screen can be adjusted via PC with the enclosed software. To synchronize emitter and receiver just interconnect the sync-outputs of both.

measuring light screen  
receiver  
EA5R900PIXMODQ

**Accessories**

Type code	Ident no.	Description	Dimension drawing
EZA-MBK-11	3071470	Mounting bracket, steel, black-finished, for EZ-ARRAY and EZ-SCREEN standard and cascade 14 & 30 mm	
EZA-MBK-12	3071756	Mounting bracket, steel, black-finished, for EZ-ARRAY and EZ-SCREEN standard and cascade 14 & 30 mm	
EZA-MBK-20	3072587	Mounting bracket, steel, black-finished, for EZ-ARRAY and EZ-SCREEN standard 14 & 30 mm	

**Wiring accessories**

Type code	Ident no.	Description	Dimension drawing
EZA-USB-485-01	3083025	USB-RS485 converter cable, male M12 x 1 on male USB type A	
RKC8T-2/TEL	6625130	Connection cable, female M12, straight, 8-pin, cable length: 2 m; sheath material: PVC, sheath color: black, cULus approved, RoHS conform, protection class IP67	
WKC8T-2/TEL	6625133	Connection cable, female M12, angled, 8-pin, cable length: 2 m; sheath material: PVC, sheath color: black, cULus approved, RoHS conform, protection class IP67	

