

measuring light screen
receiver
EA5R1500PIXMODQ

TURCK

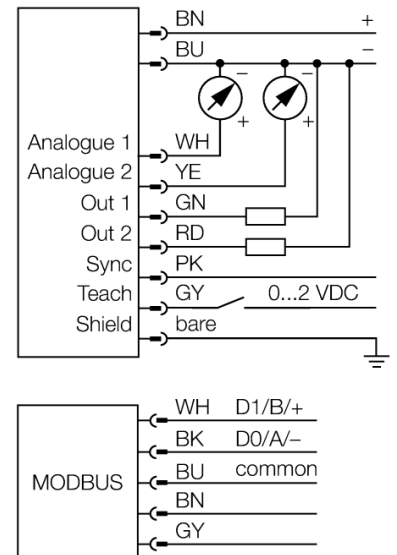
Industrial
Automation



- Male M12 x 1, 8-pin
- Scan field 1500 mm
- Protection class IP65
- Resolution 5 mm
- Max. range 4 m
- Operating voltage 12...30 VDC
- 2 x PNP, output
- 2 x analog output 4...20 mA
- Modbus RTU via RS485, female M12 x 1, 5-pin
- Mounting bracket EZA-MBK-11 (for all types) and EZA-MBK-12 (only for ranges ≥ 1050 mm) incl. in delivery

Type code	EA5R1500PIXMODQ
Ident no.	3077535
Operating mode	light screen
Optical resolution	5 mm
Range	400...4000 mm
Detection zone height	1500 mm
Ambient temperature	-40...+70 °C
Operating voltage	12...30VDC
DC rated operational current	≤ 375 mA
No-load current I_0	≤ 400 mA
Output function	2x NO, PNP/analog output
Current output	4...20mA
Load resistance	$\leq 1350 \Omega$
Readiness delay	≤ 2 s
Response time	< 22.2 ms
Design	rectangular, EZ-Array
Dimensions	45.2 x 36 x 1578 mm
Housing material	metal, AL, anodized
Lens	plastic, acrylic
Connection	male, M12 x 1
Protection class	IP65
Power-on indication	LED red
Error indication	LED red (2-color LED)
Excess gain indication	LED red

Wiring diagram



Functional principle

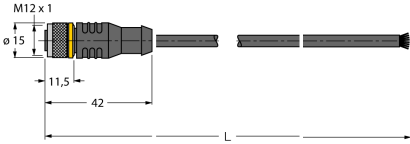
The measuring light screen EZ-Array is ideal for sizing and product profiling, edge and centre guiding, sag and hole detection as well as parts counting. The two-part light screen is easily installed. The electronics is incorporated in the receiver housing and can be configured via 6 DIP switches. For special functions, the screen can be adjusted via PC with the enclosed software. To synchronize emitter and receiver just interconnect the sync-outputs of both.

measuring light screen
receiver
EA5R1500PIXMODQ

Accessories

Type code	Ident no.	Description	Dimension drawing
EZA-MBK-11	3071470	Mounting bracket, steel, black-finished, for EZ-ARRAY and EZ-SCREEN standard and cascade 14 & 30 mm	
EZA-MBK-12	3071756	Mounting bracket, steel, black-finished, for EZ-ARRAY and EZ-SCREEN standard and cascade 14 & 30 mm	
EZA-MBK-20	3072587	Mounting bracket, steel, black-finished, for EZ-ARRAY and EZ-SCREEN standard 14 & 30 mm	

Wiring accessories

Type code	Ident no.	Description	Dimension drawing
EZA-USB-485-01	3083025	USB-RS485 converter cable, male M12 x 1 on male USB type A	
RKC8T-2/TEL	6625130	Connection cable, female M12, straight, 8-pin, cable length: 2 m; sheath material: PVC, sheath color: black, cULus approved, RoHS conform, protection class IP67	
WKC8T-2/TEL	6625133	Connection cable, female M12, angled, 8-pin, cable length: 2 m; sheath material: PVC, sheath color: black, cULus approved, RoHS conform, protection class IP67	