

measuring light screen
receiver
EA5R2400PUXMODQ

TURCK

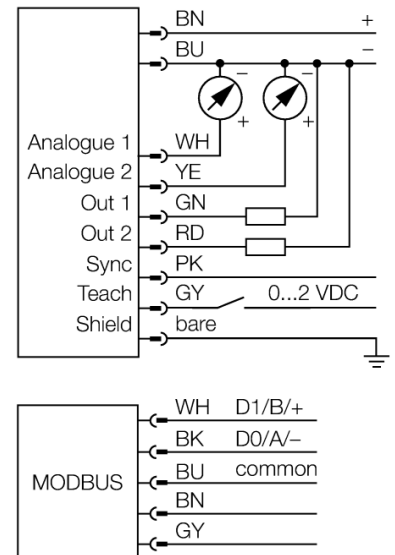
Industrial
Automation



- Male M12 x 1, 8-pin
- Scan field 2400 mm
- Protection class IP65
- Resolution 5 mm
- Max. range 4 m
- Operating voltage 15...30 VDC
- 2x PNP switching output
- 2 x analog outputs 0...10 V
- Modbus RTU via RS485, female M12 x 1, 5-pin
- Mounting bracket EZA-MBK-11 (for all types) and EZA-MBK-12 (only for ranges ≥ 1050 mm) incl. in delivery

| | |
|--------------------------------|--------------------------|
| Type code | EA5R2400PUXMODQ |
| Ident no. | 3078942 |
| Operating mode | light screen |
| Optical resolution | 5 mm |
| Range | 400...4000 mm |
| Detection zone height | 2400 mm |
| Ambient temperature | -40...+70 °C |
| Operating voltage | 15...30VDC |
| DC rated operational current | ≤ 375 mA |
| No-load current I ₀ | ≤ 400 mA |
| Output function | 2x NO, PNP/analog output |
| Voltage output | 0...10V |
| Load resistance | ≥ 2000 Ω |
| Readiness delay | ≤ 2 s |
| Response time | < 35.1 ms |
| Design | rectangular, EZ-Array |
| Dimensions | 45.2 x 36 x 2478 mm |
| Housing material | metal, AL, anodized |
| Lens | plastic, acrylic |
| Connection | male, M12 x 1 |
| Protection class | IP65 |
| Power-on indication | LED red |
| Error indication | LED red (2-color LED) |
| Excess gain indication | LED red |

Wiring diagram

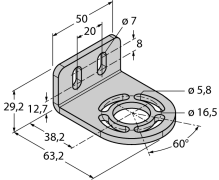
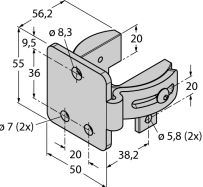
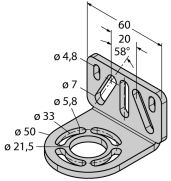


Functional principle

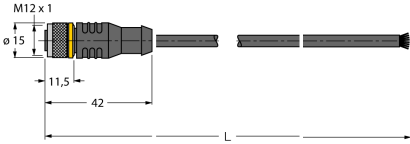
The measuring light screen EZ-Array is ideal for sizing and product profiling, edge and centre guiding, sag and hole detection as well as parts counting. The two-part light screen is easily installed. The electronics is incorporated in the receiver housing and can be configured via 6 DIP switches. For special functions, the screen can be adjusted via PC with the enclosed software. To synchronize emitter and receiver just interconnect the sync-outputs of both.

measuring light screen
receiver
EA5R2400PUXMODQ

Accessories

| Type code | Ident no. | Description | Dimension drawing |
|------------|-----------|---|---|
| EZA-MBK-11 | 3071470 | Mounting bracket, steel, black-finished, for EZ-ARRAY and EZ-SCREEN standard and cascade 14 & 30 mm |  |
| EZA-MBK-12 | 3071756 | Mounting bracket, steel, black-finished, for EZ-ARRAY and EZ-SCREEN standard and cascade 14 & 30 mm |  |
| EZA-MBK-20 | 3072587 | Mounting bracket, steel, black-finished, for EZ-ARRAY and EZ-SCREEN standard 14 & 30 mm |  |

Wiring accessories

| Type code | Ident no. | Description | Dimension drawing |
|----------------|-----------|--|---|
| EZA-USB-485-01 | 3083025 | USB-RS485 converter cable, male M12 x 1 on male USB type A |  |
| RKC8T-2/TEL | 6625130 | Connection cable, female M12, straight, 8-pin, cable length: 2 m; sheath material: PVC, sheath color: black, cULus approved, RoHS conform, protection class IP67 | |
| WKC8T-2/TEL | 6625133 | Connection cable, female M12, angled, 8-pin, cable length: 2 m; sheath material: PVC, sheath color: black, cULus approved, RoHS conform, protection class IP67 | |

