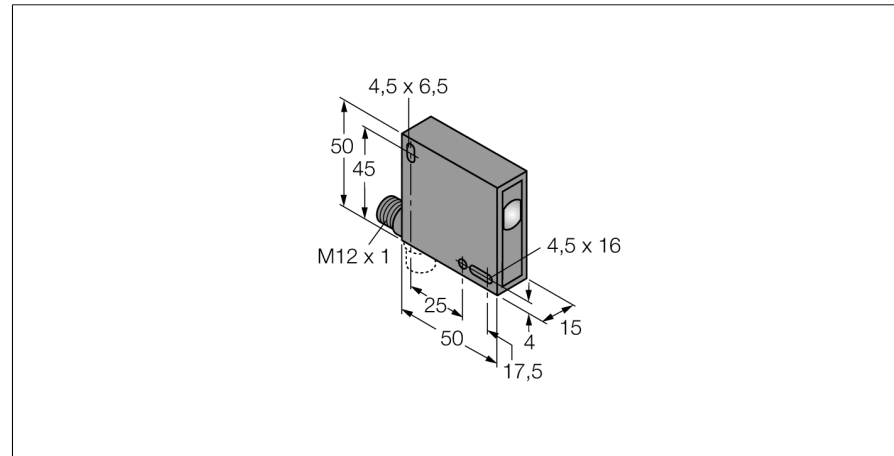
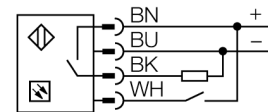


**Photoelectric sensor
luminescence sensor
QL50AP6XD20BQ**



- Protection class IP67
- M12 x 1 connector rotatable by 90 °
- Operating voltage 10...30 VDC
- PNP switching output
- Non-volatile EEPROM memory

Wiring diagram



Type code	QL50AP6XD20BQ
Ident no.	3070936
Operating mode	luminescence sensor
Light type	UV
Light spot diameter	2 mm
Range	0...40 mm
Ambient temperature	-25...+55 °C
Operating voltage	10...30VDC
DC rated operational current	≤ 50 mA
No-load current I ₀	≤ 100 mA
Output function	NO contact, PNP
Switching frequency	2 kHz
Design	rectangular, QL50
Dimensions	50 x 15 x 50 mm
Housing material	plastic, ABS
Lens	glass
Connection	male, M12 x 1
Protection class	IP62
Switching state	LED yellow

Functional principle

The QL50 is a user-friendly compact luminescence sensor, which emits invisible ultraviolet light via its UV emitting LED and detects the resulting visible luminescent light of the medium. Detection is enabled through conversion of the light wave length with the reflection on media which contain luminescent substrates. Due to its compact size it can be easily mounted almost everywhere. The configuration options comprise a programming mode for adjustment of the sensitivity as well as a fine tuning option for a large range of luminescence intensities and background conditions.

