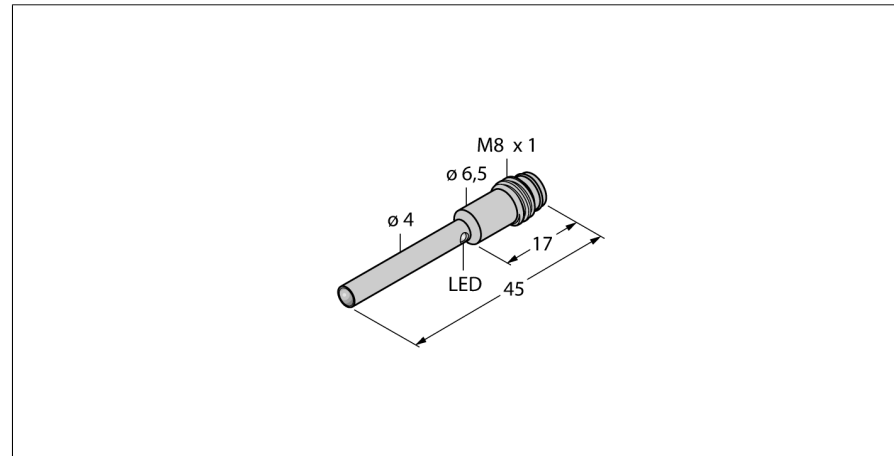
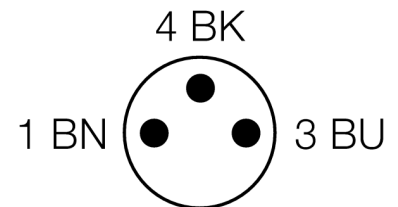
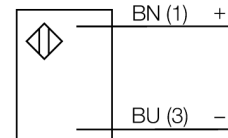


**Photoelectric sensor  
opposed mode sensor (emitter)  
miniature sensor  
VSM46EQ7**



- Stainless steel housing V2A
- Protection class IP67
- Male M8 x 1; 3-pin
- Lens, sapphire crystal glass
- Operating voltage: 10...30 VDC

**Wiring diagram**

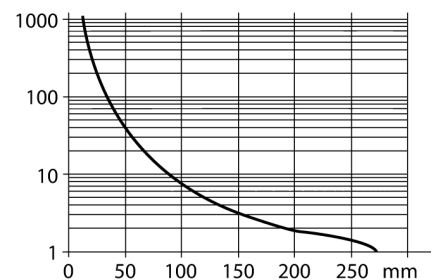


<b>Type code</b>	VSM46EQ7
Ident no.	3013291
<b>Operating mode</b>	opposed mode sensor (emitter)
Light type	IR
Wavelength	880 nm
Range	0...250 mm
Ambient temperature	0...+55 °C
<b>Operating voltage</b>	10...30VDC
Residual ripple	< 10 % U <sub>s</sub>
No-load current I <sub>0</sub>	≤ 15 mA
Reverse polarity protection	yes
Readiness delay	≤ 20 ms
<b>Design</b>	smooth barrel, VSM
Dimensions	45 mm
Housing diameter	4 mm
Housing material	metal, V2A (1.4301)
Lens	glass, Sapphire
Connection	male, M8 x 1
Cable length	2 m
Cable cross section	2 x 0.34 mm <sup>2</sup>
Protection class	IP67

**Functional principle**

Opposed mode sensors consist of an emitter and receiver. They are installed opposite to each other whereby the emitted light aims directly at the receiver. When an object interrupts or weakens the light beam, the sensor switches. Opposed mode sensors are the most reliable photoelectric sensors for detection of opaque targets. The excellent light/dark contrast and the high excess gain allow operation over larger distances and under difficult conditions.

**Excess gain curve**



**Photoelectric sensor  
opposed mode sensor (emitter)  
miniature sensor  
VSM46EQ7**

**Wiring accessories**

Type code	Ident no.	Description	Dimension drawing
PKG3M-2/TEL	6625058	Connection cable, female M8, straight, 3-pin, cable length: 2 m, sheath material: PVC, black; cULus approval; other cable lengths and qualities available, see <a href="http://www.turck.com">www.turck.com</a>	
PKW3M-2/TEL	6625064	Connection cable, female M8, angled, 3-pin, cable length: 2 m, sheath material: PVC, black; cULus approval; other cable lengths and qualities available, see <a href="http://www.turck.com">www.turck.com</a>	