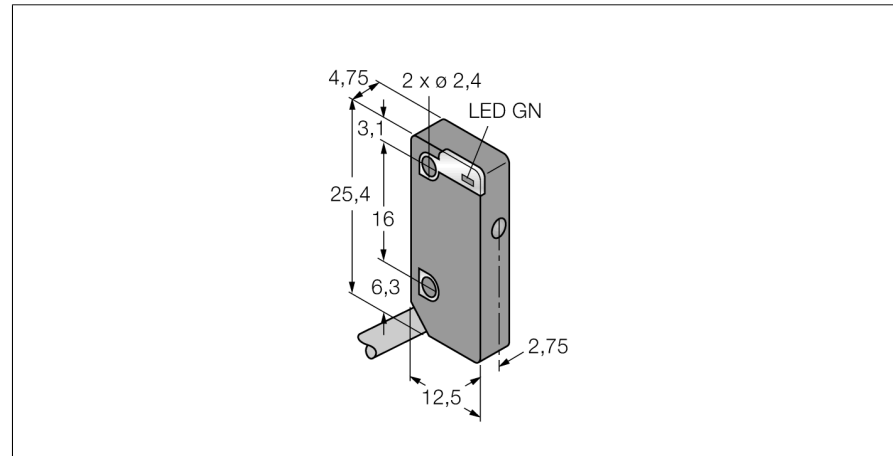
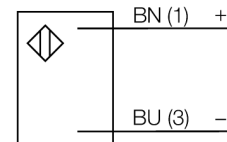


**Photoelectric sensor
opposed mode sensor (emitter)
miniature sensor
VS4EV**



- Cable 2 m
- Protection class IP67
- Operating voltage: 10...30 VDC
- Flat design
- Visible red light

Wiring diagram

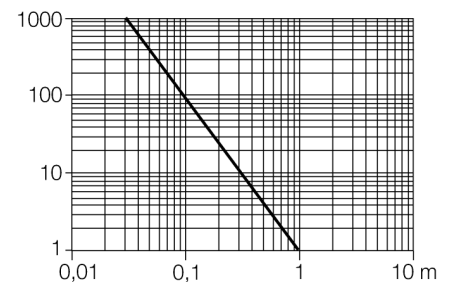


Functional principle

Opposed mode sensors consist of an emitter and receiver. They are installed opposite each other so that the light from the emitter is aimed directly at the receiver. When an object interrupts or weakens the light beam, the sensor switches. Opposed mode sensors are the most reliable photoelectric sensors for detection of opaque targets. An excellent contrast between light and dark conditions and an extremely high excess gain are typical of this sensing mode, thus allowing operation over larger distances and under difficult conditions.

Excess gain curve

Excess gain in relation to the distance



Type code	VS4EV
Ident no.	3069422
Operating mode	opposed mode sensor (emitter)
Light type	red
Wavelength	660 nm
Range	0...1000 mm
Ambient temperature	-20...+55 °C
Operating voltage	10...30VDC
Residual ripple	< 10 % U _s
No-load current I ₀	≤ 25 mA
Short-circuit protection	yes
Reverse polarity protection	yes
Readiness delay	≤ 100 ms
Design	rectangular, VS4
Dimensions	12.5 x 4.75 x 25.4 mm
Housing material	plastic, PC
Lens	plastic, PC
Connection	cable
Cable length	2 m
Cable cross section	2 x 0.381 mm ²
Protection class	IP67
Power-on indication	LED green
Error indication	LED green flashing

**Photoelectric sensor
opposed mode sensor (emitter)
miniature sensor
VS4EV**

Accessories

Type code	Ident no.	Description	Dimension drawing
SMBVS4SRA	3069435	Montagewinkel, 300 Edelstahl, rechtwinklig, für Sensoren der Baureihe VS4	