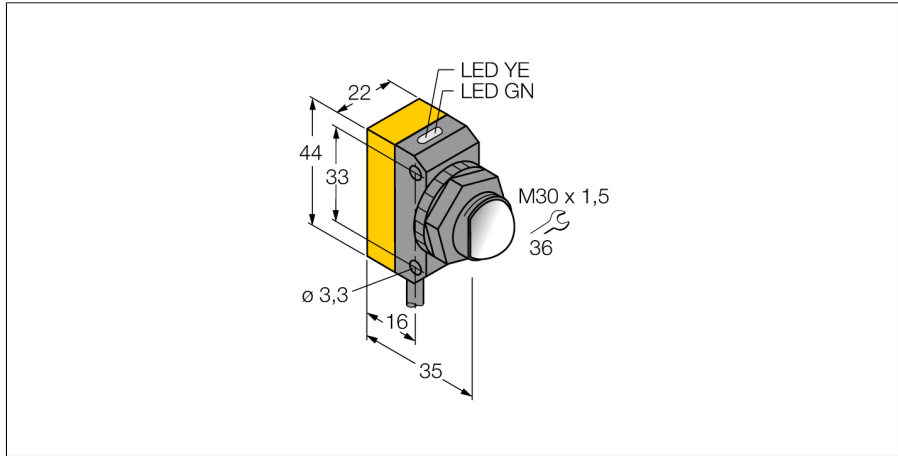
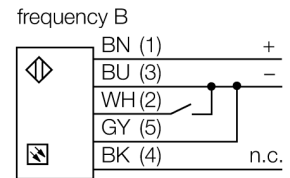
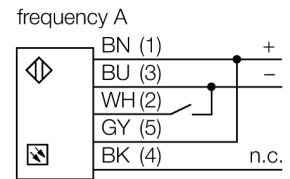


**Photoelectric sensor  
opposed mode sensor (emitter)  
QS30EX**



- Cable, PVC, 2 m
- Protection class IP67
- LED all-round visible
- Selectable operating frequency, protection against crosstalk
- Emitter LED, switchable
- Operating voltage: 10...30 VDC

**Wiring diagram**

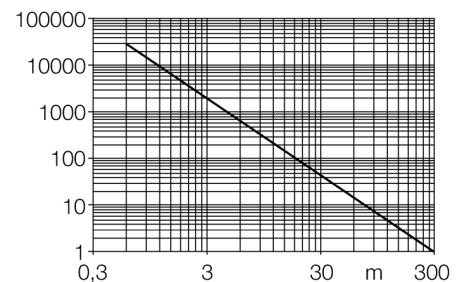


**Functional principle**

Opposed mode sensors consist of an emitter and receiver. They are installed opposite to each other so that the light from the emitter is aimed directly at the receiver. When an object interrupts or weakens the light beam, the sensor switches. Large distance operation is possible due to an excellent light/dark contrast and an extremely high excess gain.

**Excess gain curve**

Excess gain in relation to the distance



<b>Type code</b>	QS30EX
Ident no.	3071559
<b>Operating mode</b>	opposed mode sensor (emitter)
Light type	IR
Wavelength	875 nm
Range	0...213000 mm
Ambient temperature	-20...+60 °C
<b>Operating voltage</b>	10...30VDC
Residual ripple	< 10 % U <sub>s</sub>
No-load current I <sub>0</sub>	≤ 70 mA
Short-circuit protection	yes
Reverse polarity protection	yes
Readiness delay	≤ 100 ms
<b>Design</b>	rectangular, QS30
Dimensions	35 x 22 x 49 mm
Housing material	plastic, ABS, yellow
Lens	plastic, acrylic
Connection	cable, PVC
Cable length	2 m
Cable cross section	5 x 0.5 mm <sup>2</sup>
Protection class	IP67
MTTF	402 years acc. to SN 29500 (Ed. 99) 40 °C
<b>Power-on indication</b>	LED green

Photoelectric sensor  
opposed mode sensor (emitter)  
QS30EX

**TURCK**

Industrial  
Automation

**Accessories**

Type code	Ident no.	Description	Dimension drawing
SMB30A	3032723	Mounting bracket, stainless steel, for sensors with 30 mm thread	
SMBQS30L	3002809	Mounting bracket, stainless steel, for QS30 series	
SMBQS30Y	3002811	Protective housing, stainless steel, for QS30 series	
SMBQS30YL	3072741	Protective housing with safety glass panel, stainless steel, for QS30 series	