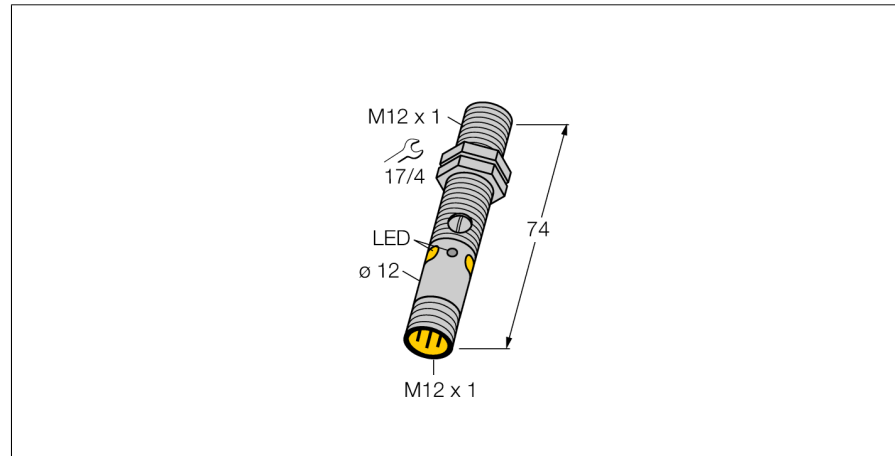
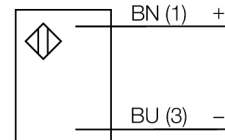


**Photoelectric sensor
opposed mode sensor (emitter)
M12EQ8**



- Male M12 x 1, 4-pin
- Protection classes IP67 / IP68
- Metal housing
- LED all-round visible
- Operating voltage: 10...30 VDC

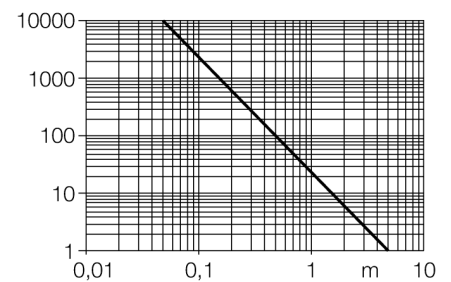
Wiring diagram



Functional principle

Opposed mode sensors consist of an emitter and receiver. They are installed opposite each other so that the light from the emitter is aimed directly at the receiver. When an object interrupts or weakens the light beam, the sensor switches. Opposed mode sensors are the most reliable photoelectric sensors for detection of opaque targets. An excellent contrast between light and dark conditions and an extremely high excess gain are typical of this sensing mode, thus allowing operation over larger distances and under difficult conditions.

Excess gain curve



Type code	M12EQ8
Ident no.	3077203
Operating mode	opposed mode sensor (emitter)
Light type	red
Wavelength	660 nm
Range	0...5000 mm
Ambient temperature	-20...+60 °C
Operating voltage	10...30VDC
Residual ripple	< 10 % U _s
No-load current I ₀	≤ 20 mA
Short-circuit protection	yes
Reverse polarity protection	yes
Readiness delay	≤ 100 ms
Design	threaded barrel, M12
Dimensions	74 mm
Housing diameter	12 mm
Housing material	metal, CuZn, nickel-plated
Lens	plastic, PMMP
Connection	male, M12 x 1
Protection class	IP68
MTTF	46 years acc. to SN 29500 (Ed. 99) 40 °C
Power-on indication	LED green
Error indication	LED green flashing

**Photoelectric sensor
opposed mode sensor (emitter)
M12EQ8**

Accessories

Type code	Ident no.	Description	Dimension drawing
SMB12FAM10	3011221	Mounting bracket, stainless steel, for M12, M10 x 1.5 thread	
SMB12MM	3027635	Mounting bracket, stainless steel, for M12	
SMBQS12PD	3059606	Mounting bracket; material VA 1.4401, for Q12 & M12 series	

Wiring accessories

Type code	Ident no.	Description	Dimension drawing
RKC4.4T-2/TEL	6625013	Connection cable, female M12, straight, 4-pin, cable length: 2 m, sheath material: PVC, black; cULus approval; other cable lengths and qualities available, see www.turck.com	
WKC4.4T-2/TEL	6625025	Connection cable, female M12, angled, 4-pin, cable length: 2 m, sheath material: PVC, black; cULus approval; other cable lengths and qualities available, see www.turck.com	