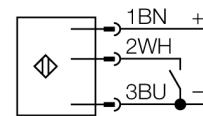


**Photoelectric sensor
laser emitter
QS186LE14Q8**



- Male M12 x 1, 4-pin
- Protection class IP67
- LED all-round visible
- Male M12 x 1
- Laser class 1
- Cross-shaped beam profile
- 155 mm at 1 m distance

Wiring diagram



Type code	QS186LE14Q8
Ident no.	3002789
Operating mode	Opposed mode sensor (laser emitter)
Light type	red
Wavelength	650 nm
Laser class	▲ 1
Range	0...5000 mm
Ambient temperature	-10...+50 °C
Operating voltage	10...30VDC
Residual ripple	< 10 % U _{ss}
DC rated operational current	≤ 100 mA
No-load current I ₀	≤ 35 mA
Short-circuit protection	yes
Reverse polarity protection	yes
Readiness delay	≤ 250 ms
Readiness delay	≤ 0.25 s
Design	rectangular, QS18
Dimensions	31 x 15 x 35 mm
Housing material	plastic, ABS
Lens	plastic, acrylic
Connection	male, M12 x 1
Protection class	IP67
MTTF	530 years acc. to SN 29500 (Ed. 99) 40 °C
Power-on indication	LED green

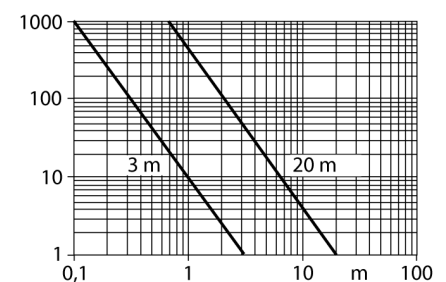


Functional principle

Opposed mode sensors consist of an emitter and receiver. They are installed opposite to each other so that the light from the emitter is aimed directly at the receiver. When an object interrupts or weakens the light beam, the sensor switches. Opposed mode sensors are the most reliable photoelectric sensors for detection of opaque targets. The excellent light/dark contrast and the high excess gain allow operation over larger distances and under difficult conditions.

Excess gain curve

Excess gain in relation to the distance (type 6EB/RB)

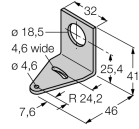
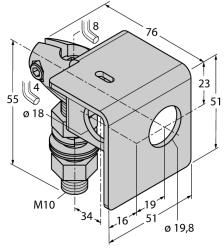
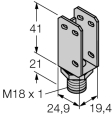
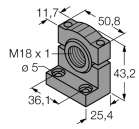


Photoelectric sensor
laser emitter
QS186LE14Q8

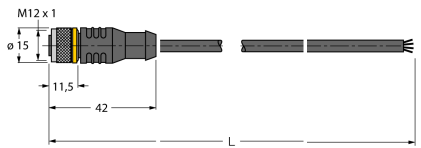
TURCK

Industrial
Automation

Accessories

Type code	Ident no.	Description	Dimension drawing
SMB18A	3033200	Mounting bracket, stainless steel, for sensors with 18 mm thread	
SMB18AFAM10	3012558	Mounting bracket, material VA 1.4401, for M10 x 1.5 thread, thread length 18 mm	
SMBQS18A	3069721	Mounting bracket, stainless steel, for 18 mm thread	
SMB18SF	3052519	Mounting bracket, PTB black steel, for sensors with 18 mm thread	

Wiring accessories

Type code	Ident no.	Description	Dimension drawing
RKC4.4T-2/TEL	6625013	Connection cable, female M12, straight, 4-pin, cable length: 2 m, sheath material: PVC, black; cULus approval; other cable lengths and qualities available, see www.turck.com	

**Photoelectric sensor
laser emitter
QS186LE14Q8**

TURCK

Industrial
Automation

Wiring accessories

Type code	Ident no.	Description	Dimension drawing
WKC4.4T-2/TEL	6625025	Connection cable, female M12, angled, 4-pin, cable length: 2 m, sheath material: PVC, black; cULus approval; other cable lengths and qualities available, see www.turck.com	