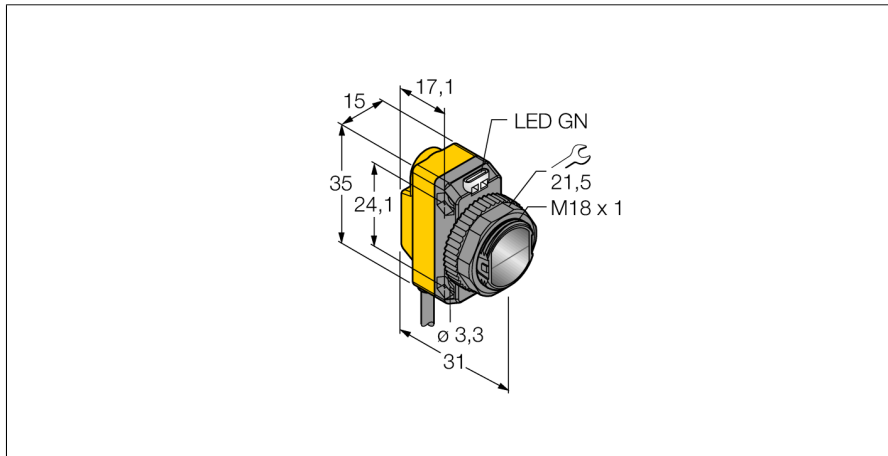
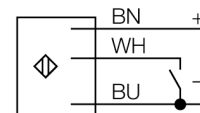


**Photoelectric sensor
laser emitter
QS186LE**



- Cable, PVC, 2 m
- Protection class IP67
- LED all-round visible
- Cable 2 m
- Laser class 1

Wiring diagram

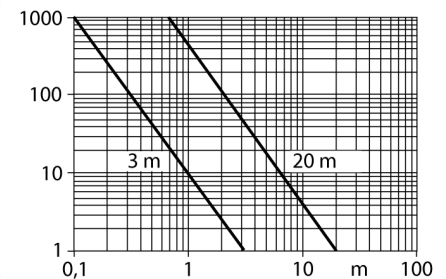


Functional principle

Opposed mode sensors consist of an emitter and receiver. They are installed opposite to each other so that the light from the emitter is aimed directly at the receiver. When an object interrupts or weakens the light beam, the sensor switches. Opposed mode sensors are the most reliable photoelectric sensors for detection of opaque targets. The excellent light/dark contrast and the high excess gain allow operation over larger distances and under difficult conditions.

Excess gain curve

Excess gain in relation to the distance (type 6EB/RB)



Type code	QS186LE
Ident no.	3070252
Operating mode	Opposed mode sensor (laser emitter)
Light type	red
Wavelength	650 nm
Laser class	▲ 1
Range	0...30000 mm
Ambient temperature	-10...+50 °C
Operating voltage	10...30VDC
Residual ripple	< 10 % U _s
DC rated operational current	≤ 100 mA
No-load current I ₀	≤ 35 mA
Short-circuit protection	yes
Reverse polarity protection	yes
Readiness delay	≤ 250 ms
Readiness delay	≤ 0.25 s
Design	rectangular, QS18
Dimensions	31 x 15 x 35 mm
Housing material	plastic, ABS
Lens	plastic, acrylic
Connection	cable, PVC
Cable length	2 m
Cable cross section	3 x 0.5 mm ²
Protection class	IP67
MTTF	530 years acc. to SN 29500 (Ed. 99) 40 °C
Power-on indication	LED green

