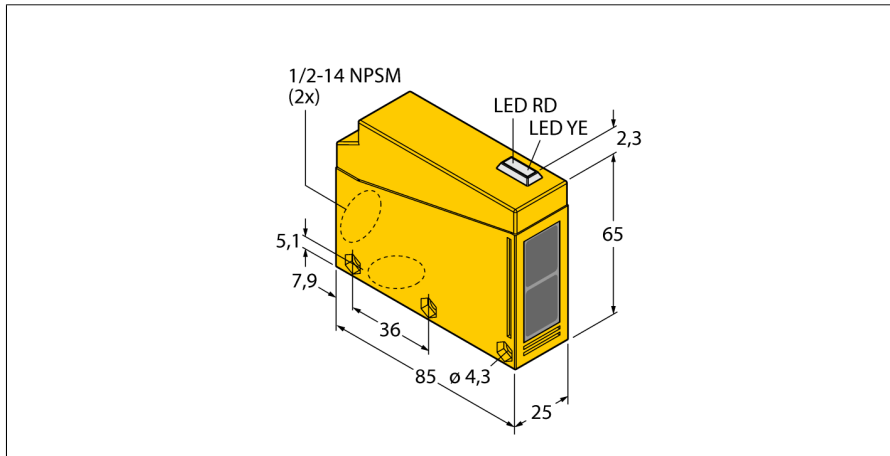
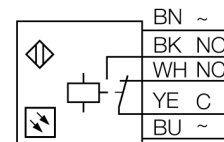


**Photoelectric sensor
opposed mode sensor (receiver)
Q85VR3R-T9-B**

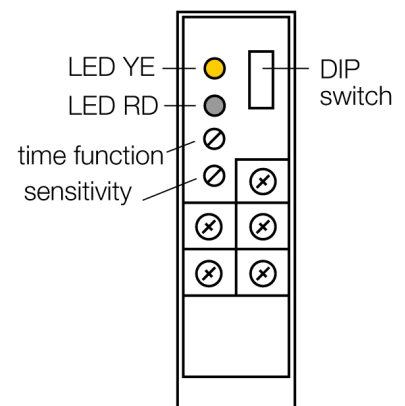


- Integrated terminal chamber
- Cable glands, offset installation by 90° in two places
- Protection class IP67
- AID alignment aid
- Operating voltage: 12...240 VDC, 24...240 VAC
- Relay output
- Light and dark operation
- Sensitivity adjusted via potentiometer
- Different time functions available (0.1...5 s)

Wiring diagram



Type code	Q85VR3R-T9-B
Ident no.	3031652
Operating mode	opposed mode sensor (receiver)
Range	0...23000 mm
Ambient temperature	-25...+55 °C
Operating voltage	12...240VDC
Operating voltage	24...240 VAC
DC rated operational current	≤ 3000 mA
AC rated operational current	≤ 3000 mA
Output function	NO/NC , Relay output
Switching frequency	≤ 25 Hz
Max. AC switching capacity	2 VA
Design	rectangular, Q85
Dimensions	85 x 65 x 25 mm
Housing material	plastic, ABS, yellow
Lens	acrylic, Plastic
Connection	terminal chamber
Protection class	IP67
Switching state	LED yellow
Excess gain indication	LED red flashing



Functional principle

Opposed mode sensors consist of an emitter and receiver. They are installed opposite each other so that the light from the emitter is aimed directly at the receiver. When an object interrupts or weakens the light beam, the sensor switches. Opposed mode sensors are the most reliable photoelectric sensors for detection of opaque targets. An excellent contrast between light and dark conditions and an extremely high excess gain are typical of this sensing mode, thus allowing operation over larger distances and under difficult conditions.

Excess gain curve

Excess gain in relation to the distance

Photoelectric sensor
opposed mode sensor (receiver)
Q85VR3R-T9-B

TURCK

Industrial
Automation

