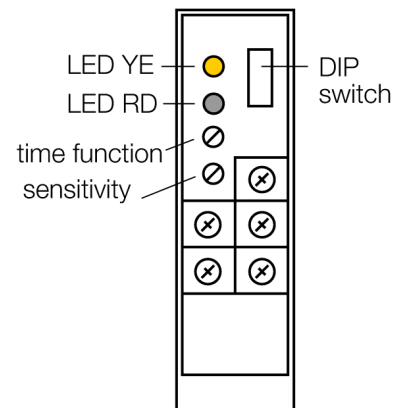
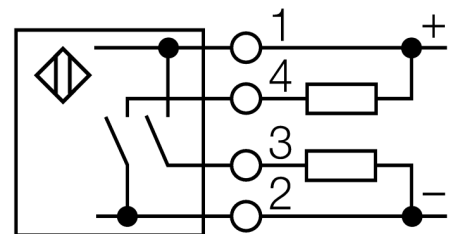


**Photoelectric sensor
opposed mode sensor (receiver)
Q85BB62R-T9-B**



- Integrated terminal chamber
- Cable glands, offset installation by 90° in two places
- Protection class IP67
- AID alignment aid
- Operating voltage: 10...48 VDC
- Outputs: 1 x PNP, 1 x NPN
- Light and dark operation
- Sensitivity adjusted via potentiometer
- Different time functions available, (0.1... 5 s)

Wiring diagram



Type code	Q85BB62R-T9-B
Ident no.	3034266
Operating mode	opposed mode sensor (receiver)
Range	0...23000 mm
Ambient temperature	-25...+55 °C
Operating voltage	10...48VDC
DC rated operational current	≤ 120 mA
No-load current I ₀	≤ 50 mA
Short-circuit protection	yes/ cyclic
Reverse polarity protection	yes
Output function	NO/NC , PNP/NPN
Switching frequency	0.06 kHz
Switching frequency	≤ 60 Hz
Readiness delay	≤ 100 ms
Overcurrent release	> 270 mA
Design	rectangular, Q85
Dimensions	85 x 65 x 25 mm
Housing material	plastic, ABS, yellow
Lens	acrylic, Plastic
Connection	terminal chamber
Protection class	IP67
Switching state	LED yellow
Excess gain indication	LED red flashing

Functional principle

Opposed mode sensors consist of an emitter and receiver. They are installed opposite each other so that the light from the emitter is aimed directly at the receiver. When an object interrupts or weakens the light beam, the sensor switches. Opposed mode sensors are the most reliable photoelectric sensors for detection of opaque targets. An excellent contrast between light and dark conditions and an extremely high excess gain are typical of this sensing mode, thus allowing operation over larger distances and under difficult conditions.

Excess gain curve

Excess gain in relation to the distance

Photoelectric sensor
opposed mode sensor (receiver)
Q85BB62R-T9-B

TURCK

Industrial
Automation

