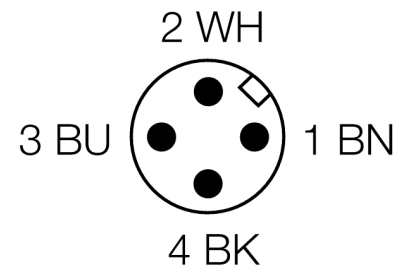
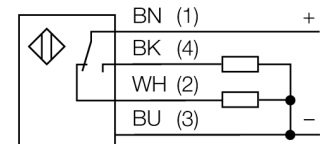


**Photoelectric sensor
opposed mode sensor (emitter/receiver)
QS18VP6RQ5**

- Cable with male end, M12 x 1, 4-pin, PVC, 150 mm
- Protection class IP67
- LED all-round visible

Wiring diagram

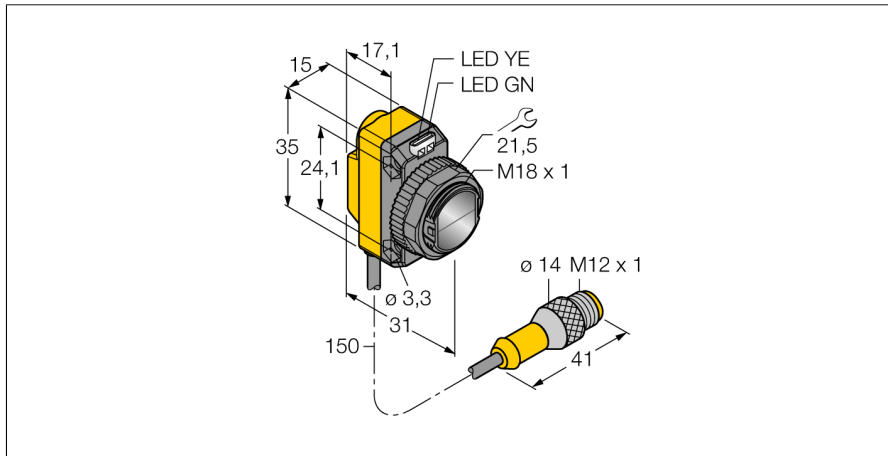
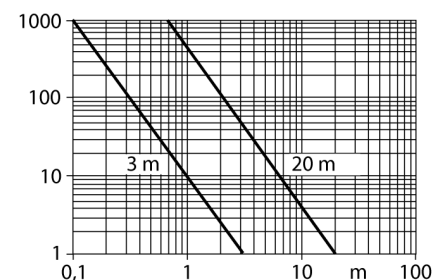


Functional principle

Opposed mode sensors consist of an emitter and receiver. They are installed opposite to each other so that the light from the emitter is aimed directly at the receiver. When an object interrupts or weakens the light beam, the sensor switches. Opposed mode sensors are the most reliable photoelectric sensors for detection of opaque targets. The excellent light/dark contrast and the high excess gain allow operation over larger distances and under difficult conditions.

Excess gain curve

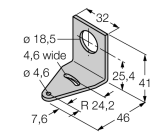
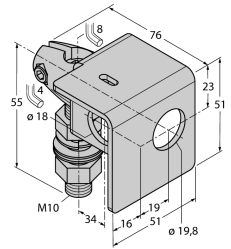
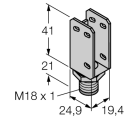
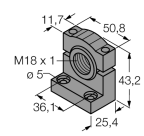
Excess gain in relation to the distance (type 6EB/RB)



| | |
|------------------------------|--|
| Type code | QS18VP6RQ5 |
| Ident no. | 3064584 |
| Operating mode | opposed mode sensor (receiver) |
| Range | 0...20000 mm |
| Ambient temperature | -20...+70 °C |
| Operating voltage | 10...30VDC |
| Residual ripple | < 10 % U _{in} |
| DC rated operational current | ≤ 100 mA |
| Short-circuit protection | yes |
| Reverse polarity protection | yes |
| Output function | NO/NC , PNP |
| Switching frequency | ≤ 400 Hz |
| Readiness delay | ≤ 100 ms |
| Design | rectangular, QS18 |
| Dimensions | 31 x 15 x 35 mm |
| Housing material | plastic, ABS |
| Lens | plastic, acrylic |
| Connection | cable with connector, PVC, M12 x 1 |
| Cable length | 0.15 m |
| Protection class | IP67 |
| MTTF | 2952 years acc. to SN 29500 (Ed. 99) 40 °C |
| Power-on indication | LED green |
| Switching state | LED yellow |
| Error indication | LED green flashing |
| Excess gain indication | LED yellow flashing |

**Photoelectric sensor
opposed mode sensor (emitter/receiver)
QS18VP6RQ5**

Accessories

| Type code | Ident no. | Description | Dimension drawing |
|-------------|-----------|---|---|
| SMB18A | 3033200 | Mounting bracket, stainless steel, for sensors with 18 mm thread |  |
| SMB18AFAM10 | 3012558 | Mounting bracket, material VA 1.4401, for M10 x 1.5 thread, thread length 18 mm |  |
| SMBQS18A | 3069721 | Mounting bracket, stainless steel, for 18 mm thread |  |
| SMB18SF | 3052519 | Mounting bracket, PTB black steel, for sensors with 18 mm thread |  |

Wiring accessories

| Type code | Ident no. | Description | Dimension drawing |
|---------------|-----------|--|---|
| RKC4.4T-2/TEL | 6625013 | Connection cable, female M12, straight, 4-pin, cable length: 2 m, sheath material: PVC, black; cULus approval; other cable lengths and qualities available, see www.turck.com |  |

**Photoelectric sensor
opposed mode sensor (emitter/receiver)
QS18VP6RQ5**

Wiring accessories

| Type code | Ident no. | Description | Dimension drawing |
|---------------|-----------|--|---|
| WKC4.4T-2/TEL | 6625025 | Connection cable, female M12, angled, 4-pin, cable length: 2 m, sheath material: PVC, black; cULus approval; other cable lengths and qualities available, see www.turck.com |  |