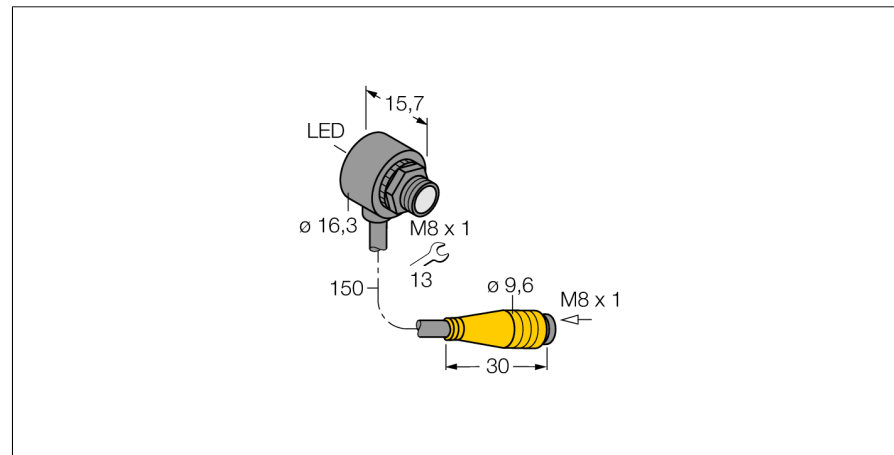
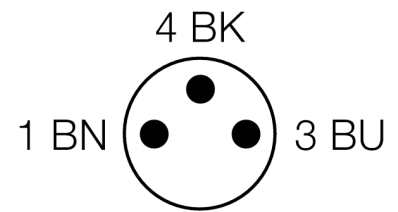
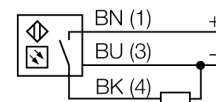


**Photoelectric sensor
opposed mode sensor (emitter/receiver)
miniature sensor
T8AP6RQ**



- Cable with male end, PVC, M8 x 1, 150 mm
- Protection class IP67
- Ambient temperature: -20...+55 °C
- Ideal for confined spaces
- Operating voltage: 10...30 VDC
- PNP switching output, light operation

Wiring diagram



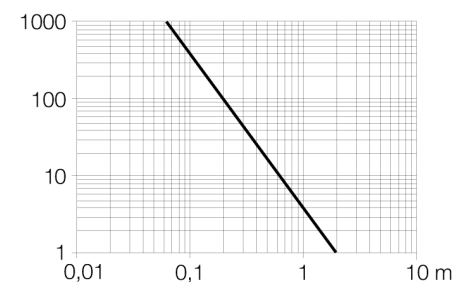
Type code	T8AP6RQ
Ident no.	3066668
Operating mode	opposed mode sensor (receiver)
Range	0...2000 mm
Ambient temperature	-20...+55 °C
Operating voltage	10...30VDC
Residual ripple	< 10 % U _s
DC rated operational current	≤ 50 mA
No-load current I ₀	≤ 25 mA
Short-circuit protection	yes
Reverse polarity protection	yes
Output function	NO, light operation, PNP
Switching frequency	≤ 666 Hz
Readiness delay	≤ 100 ms
Design	threaded barrel, T8
Dimensions	15.8 mm
Housing diameter	16.3 mm
Housing material	plastic, ABS, black
Lens	plastic, acrylic
Connection	cable with connector, M8 x 1
Cable cross section	3 x 0.1 mm ²
Protection class	IP67
Power-on indication	LED green
Switching state	LED red
Error indication	LED green flashing
Alarm display	LED red flashing

Functional principle

Opposed mode sensors consist of an emitter and receiver. They are installed opposite each other so that the light from the emitter is aimed directly at the receiver. When an object interrupts or weakens the light beam, the sensor switches. Opposed mode sensors are the most reliable photoelectric sensors for detection of opaque targets. An excellent contrast between light and dark conditions and an extremely high excess gain are typical of this sensing mode, thus allowing operation over larger distances and under difficult conditions.

Excess gain curve

Excess gain in relation to the distance



**Photoelectric sensor
opposed mode sensor (emitter/receiver)
miniature sensor
T8AP6RQ**

Accessories

Type code	Ident no.	Description	Dimension drawing
SMB8MM	3067363	Mounting bracket, material VA 1.4401, for T8 or T8L series	

Wiring accessories

Type code	Ident no.	Description	Dimension drawing
PKG3M-2/TEL	6625058	Connection cable, female M8, straight, 3-pin, cable length: 2 m, sheath material: PVC, black; cULus approval; other cable lengths and qualities available, see www.turck.com	
PKW3M-2/TEL	6625064	Connection cable, female M8, angled, 3-pin, cable length: 2 m, sheath material: PVC, black; cULus approval; other cable lengths and qualities available, see www.turck.com	