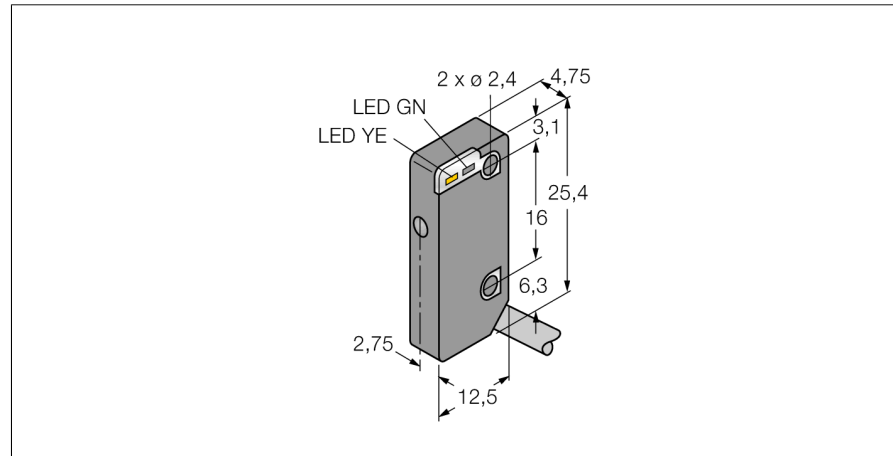
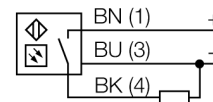


**Photoelectric sensor
opposed mode sensor (emitter/receiver)
miniature sensor
VS4RP5R**



- Cable 2 m
- Protection class IP67
- Operating voltage: 10...30 VDC
- Flat design
- PNP switching output, dark operation

Wiring diagram

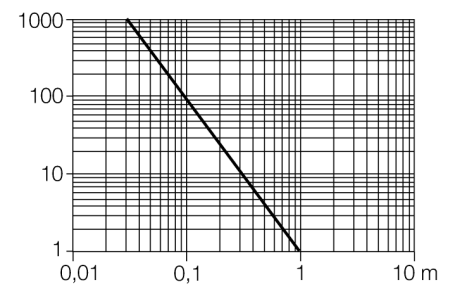


Functional principle

Opposed mode sensors consist of an emitter and a receiver. They are installed opposite to each other whereby the emitted light aims directly at the receiver. When an object interrupts or weakens the light beam, the sensor switches. Opposed mode sensors are the most reliable photoelectric sensors for detection of opaque objects. The excellent light/dark contrast and the very high excess gain are typical for this function mode and enable operation over large distances and under difficult conditions.

Excess gain curve

Excess gain in relation to distance



Type code	VS4RP5R
Ident no.	3069426
Operating mode	opposed mode sensor (receiver)
Range	0...1000 mm
Ambient temperature	-20...+55 °C
Operating voltage	10...30VDC
Residual ripple	< 10 % U _n
DC rated operational current	≤ 50 mA
No-load current I ₀	≤ 25 mA
Short-circuit protection	yes
Reverse polarity protection	yes
Output function	NO, dark operation, PNP
Switching frequency	≤ 660 Hz
Readiness delay	≤ 100 ms
Design	rectangular, VS4
Dimensions	12.5 x 4.75 x 25.4 mm
Housing material	plastic, PC
Lens	plastic, PC
Connection	cable
Cable length	2 m
Cable cross section	3 x 0.381 mm ²
Protection class	IP67
Power-on indication	LED green
Switching state	LED green
Error indication	LED green flashing
Alarm display	LED yellow flashing

Photoelectric sensor
opposed mode sensor (emitter/receiver)
miniature sensor
VS4RP5R

Accessories

Type code	Ident no.	Description	Dimension drawing
SMBVS4SRA	3069435	Montagewinkel, 300 Edelstahl, rechtwinklig, für Sensoren der Baureihe VS4	