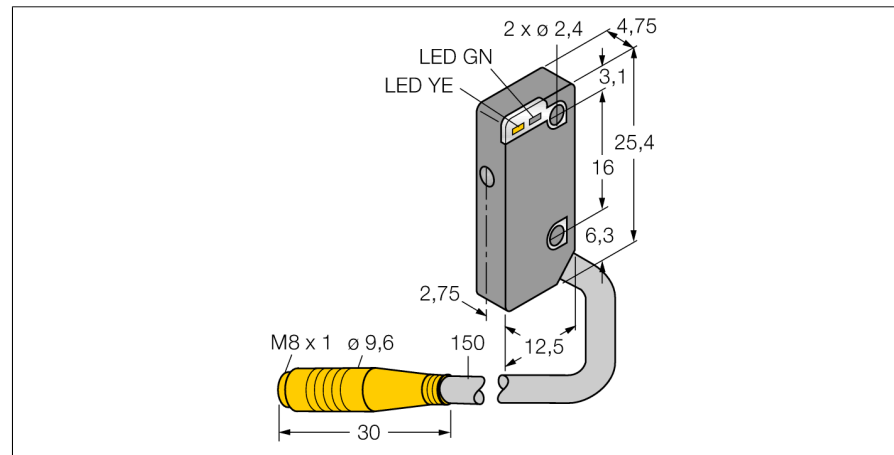
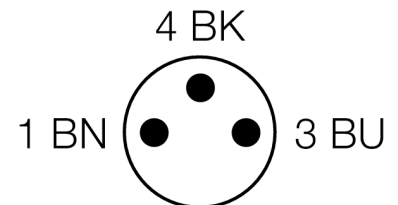
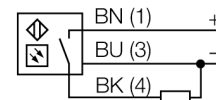


**Photoelectric sensor  
opposed mode sensor (emitter/receiver)  
miniature sensor  
VS4RP5RQ**



- Cable with male end, PVC, M8 x 1, 3-pin, 150 mm
- Protection class IP67
- Operating voltage: 10...30 VDC
- Flat design
- PNP switching output, dark operation

**Wiring diagram**



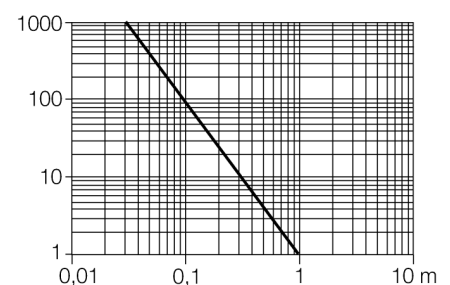
<b>Type code</b>	VS4RP5RQ
Ident no.	3069431
<b>Operating mode</b>	opposed mode sensor (receiver)
Range	0...1000 mm
Ambient temperature	-20...+55 °C
<b>Operating voltage</b>	10...30VDC
Residual ripple	< 10 % U <sub>n</sub>
DC rated operational current	≤ 50 mA
No-load current I <sub>0</sub>	≤ 25 mA
Short-circuit protection	yes
Reverse polarity protection	yes
Output function	NO, dark operation, PNP
Switching frequency	≤ 660 Hz
Readiness delay	≤ 100 ms
<b>Design</b>	rectangular, VS4
Dimensions	12.5 x 4.75 x 25.4 mm
Housing material	plastic, PC
Lens	plastic, PC
Connection	cable with connector, M8 x 1
Protection class	IP67
<b>Power-on indication</b>	LED green
Switching state	LED green
Error indication	LED green flashing
Alarm display	LED yellow flashing

**Functional principle**

Opposed mode sensors consist of an emitter and a receiver. They are installed opposite to each other whereby the emitted light aims directly at the receiver. When an object interrupts or weakens the light beam, the sensor switches. Opposed mode sensors are the most reliable photoelectric sensors for detection of opaque objects. The excellent light/dark contrast and the very high excess gain are typical for this function mode and enable operation over large distances and under difficult conditions.

**Excess gain curve**

Excess gain in relation to distance



**Photoelectric sensor  
opposed mode sensor (emitter/receiver)  
miniature sensor  
VS4RP5RQ**

**Accessories**

Type code	Ident no.	Description	Dimension drawing
SMBVS4SRA	3069435	Montagewinkel, 300 Edelstahl, rechtwinklig, für Sensoren der Baureihe VS4	

**Wiring accessories**

Type code	Ident no.	Description	Dimension drawing
PKG3M-2/TEL	6625058	Connection cable, female M8, straight, 3-pin, cable length: 2 m, sheath material: PVC, black; cULus approval; other cable lengths and qualities available, see <a href="http://www.turck.com">www.turck.com</a>	
PKW3M-2/TEL	6625064	Connection cable, female M8, angled, 3-pin, cable length: 2 m, sheath material: PVC, black; cULus approval; other cable lengths and qualities available, see <a href="http://www.turck.com">www.turck.com</a>	