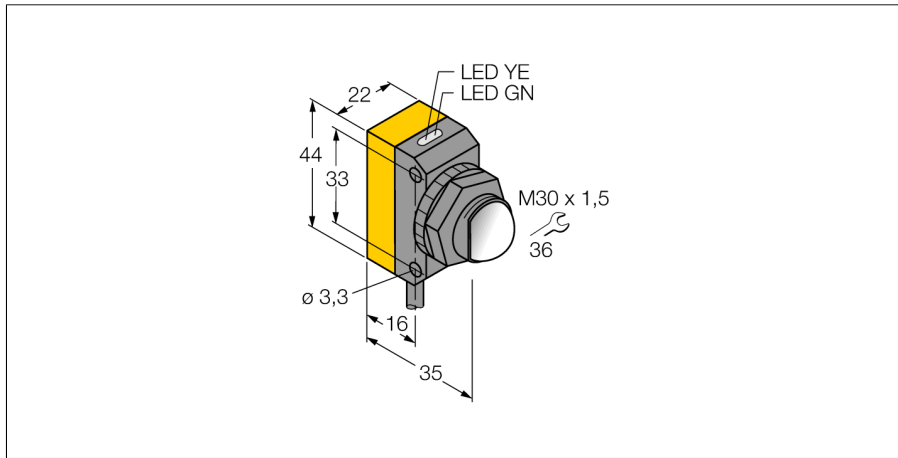
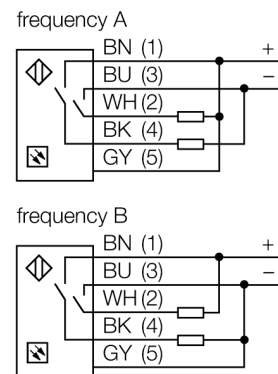


**Photoelectric sensor
opposed mode sensor (emitter/receiver)
QS30ARX**



- Cable, PVC, 2 m
- Protection class IP67
- LED all-round visible
- Selectable operating frequency, protection against crosstalk
- 4-segment bargraph
- Operating voltage: 10...30 VDC
- Switching output, bipolar, light operation

Wiring diagram

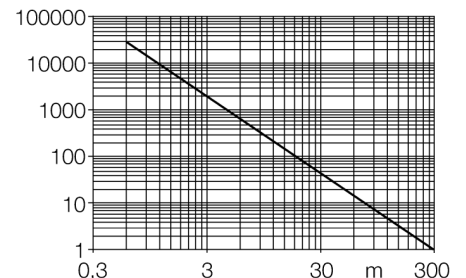


Functional principle

Opposed mode sensors consist of an emitter and receiver. They are installed opposite to each other so that the light from the emitter is aimed directly at the receiver. When an object interrupts or weakens the light beam, the sensor switches. Large distance operation is possible due to an excellent light/dark contrast and an extremely high excess gain.

Excess gain curve

Excess gain in relation to the distance



Type code	QS30ARX
Ident no.	3071560
Operating mode	opposed mode sensor (receiver)
Range	0...300000 mm
Ambient temperature	-20...+60 °C
Operating voltage	10...30VDC
Residual ripple	< 10 % U _s
DC rated operational current	≤ 100 mA
No-load current I ₀	≤ 22 mA
Short-circuit protection	yes
Reverse polarity protection	yes
Output function	NO, light operation, PNP/NPN
Switching frequency	≤ 16 Hz
Readiness delay	≤ 100 ms
Design	rectangular, QS30
Dimensions	35 x 22 x 49 mm
Housing material	plastic, ABS, yellow
Lens	plastic, acrylic
Connection	cable, PVC
Cable length	2 m
Cable cross section	5 x 0.5 mm ²
Protection class	IP67
MTTF	293 years acc. to SN 29500 (Ed. 99) 40 °C
Power-on indication	LED green
Switching state	LED yellow
Error indication	LED green flashing
Excess gain indication	LED red flashing

Photoelectric sensor
opposed mode sensor (emitter/receiver)
QS30ARX

TURCK

Industrial
Automation

Accessories

Type code	Ident no.	Description	Dimension drawing
SMB30A	3032723	Mounting bracket, stainless steel, for sensors with 30 mm thread	
SMBQS30L	3002809	Mounting bracket, stainless steel, for QS30 series	
SMBQS30Y	3002811	Protective housing, stainless steel, for QS30 series	
SMBQS30YL	3072741	Protective housing with safety glass panel, stainless steel, for QS30 series	