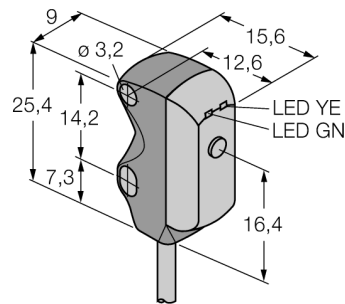
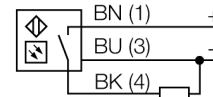


**Photoelectric sensor
retroreflective sensor
miniature sensor
VS3RP5XLV**



- Cable, 2 m, 3-wire
- Coaxial optics, no blind zone
- Operating voltage: 10...30 VDC
- PNP switching output, dark operation

Wiring diagram

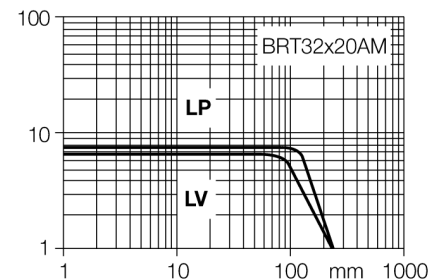


Functional principle

Retro-reflective sensors incorporate emitter and receiver in a single compact housing. The light beam of the emitter is directed towards a reflector which returns the light back to the receiver. An object is detected when it interrupts this beam. Retro-reflective sensors incorporate some of the advantages of opposed mode sensors (good contrast and high excess gain). Further it is merely required to install and wire a single device. Devices with polarisation filter should be used for detection of shiny targets.

Excess gain curve

Excess gain in relation to the distance



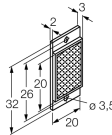
| | |
|--------------------------------|--------------------------|
| Type code | VS3RP5XLV |
| Ident no. | 3063717 |
| Operating mode | retro-reflective sensor |
| Light type | red |
| Wavelength | 680 nm |
| Range | 0...250 mm |
| Ambient temperature | -20...+55 °C |
| Operating voltage | 10...30VDC |
| Residual ripple | < 10 % U _s |
| DC rated operational current | ≤ 50 mA |
| No-load current I ₀ | ≤ 25 mA |
| Short-circuit protection | yes |
| Reverse polarity protection | yes |
| Output function | NO, dark operation, PNP |
| Switching frequency | ≤ 500 Hz |
| Readiness delay | ≤ 150 ms |
| Design | rectangular, VS3 |
| Dimensions | 16.6 x 9 x 25.4 mm |
| Housing material | plastic, ABS |
| Lens | plastic, acrylic |
| Connection | cable, PVC |
| Cable length | 2 m |
| Cable cross section | 3 x 0.34 mm ² |
| Protection class | IP67 |
| Power-on indication | LED green |
| Switching state | LED yellow |
| Error indication | LED green |

**Photoelectric sensor
retroreflective sensor
miniature sensor
VS3RP5XLV**

Accessories

| Type code | Ident no. | Description | Dimension drawing |
|-----------|-----------|--|-------------------|
| SMBVS3S | 3062618 | Montagewinkel, 300 Edelstahl, rechtwinklig, für Sensoren der Baureihe VS3 | |
| SMBVS3T | 3062617 | Montagewinkel, 300 Edelstahl, rechtwinklig, sehr hoch, für Sensoren der Baureihe VS3 | |

Function accessories

| Type code | Ident no. | Description | Dimension drawing |
|-------------|-----------|--|---|
| BRT-32X20AM | 3058982 | Rectangular reflector, reflection coefficient 1.2, material acrylic, ambient temperature -20 ... +60 °C, microprism geometry |  |