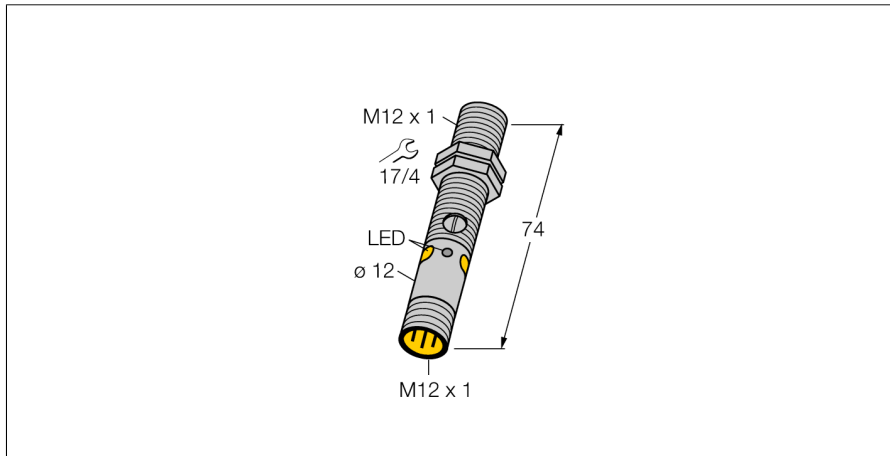
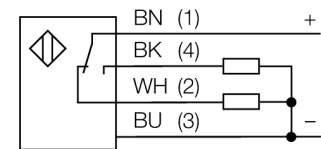


**Photoelectric sensor
retroreflective sensor
M12PLVQ8**



- Male M12 x 1, 4-pin
- Protection classes IP67 / IP68
- Metal housing
- LED all-round visible
- Indication of insufficient excess gain
- Sensitivity adjustable via potentiometer
- Operating voltage: 10...30 VDC
- PNP switching output, changeover

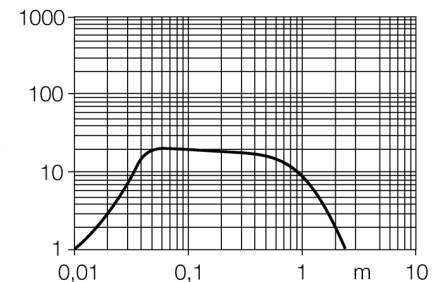
Wiring diagram



Functional principle

Retro-reflective sensors incorporate emitter and receiver in a single compact housing. The light beam of the emitter is directed towards a reflector which returns the light back to the receiver. An object is detected when it interrupts this beam. Retro-reflective sensors incorporate some of the advantages of opposed mode sensors (good contrast and high excess gain). Further it is merely required to install and wire a single device. A smaller sensing range and susceptibility of devices without polarisation filter can be of disadvantage when shiny objects have to be detected.

Excess gain curve



Type code	M12PLVQ8
Ident no.	3077187
Operating mode	retro-reflective sensor
Light type	red
Wavelength	660 nm
Range	0...2500 mm
Ambient temperature	-20...+60 °C
Operating voltage	10...30VDC
Residual ripple	< 10 % U _s
DC rated operational current	≤ 100 mA
No-load current I ₀	≤ 20 mA
Short-circuit protection	yes
Reverse polarity protection	yes
Output function	changover contact, PNP
Switching frequency	≤ 1000 Hz
Readiness delay	≤ 100 ms
Design	threaded barrel, M12
Dimensions	74 mm
Housing diameter	12 mm
Housing material	metal, CuZn, nickel-plated
Lens	plastic, PMMP
Connection	male, M12 x 1
Protection class	IP68
MTTF	46 years acc. to SN 29500 (Ed. 99) 40 °C
Power-on indication	LED green
Switching state	LED yellow
Error indication	LED green flashing
Excess gain indication	LED yellow flashing

**Photoelectric sensor
retroreflective sensor
M12PLVQ8**

Accessories

Type code	Ident no.	Description	Dimension drawing
SMB12FAM10	3011221	Mounting bracket, stainless steel, for M12, M10 x 1.5 thread	
SMB12MM	3027635	Mounting bracket, stainless steel, for M12	
SMBQS12PD	3059606	Mounting bracket; material VA 1.4401, for Q12 & M12 series	

Wiring accessories

Type code	Ident no.	Description	Dimension drawing
RKC4.4T-2/TEL	6625013	Connection cable, female M12, straight, 4-pin, cable length: 2 m, sheath material: PVC, black; cULus approval; other cable lengths and qualities available, see www.turck.com	
WKC4.4T-2/TEL	6625025	Connection cable, female M12, angled, 4-pin, cable length: 2 m, sheath material: PVC, black; cULus approval; other cable lengths and qualities available, see www.turck.com	

Photoelectric sensor
retroreflective sensor
M12PLVQ8

TURCK

Industrial
Automation

Function accessories

Type code	Ident no.	Description	Dimension drawing
BRT-84	3058979	Round reflector, reflection coefficient 1.4, material acrylic, ambient temperature -20 ... +60 °C	