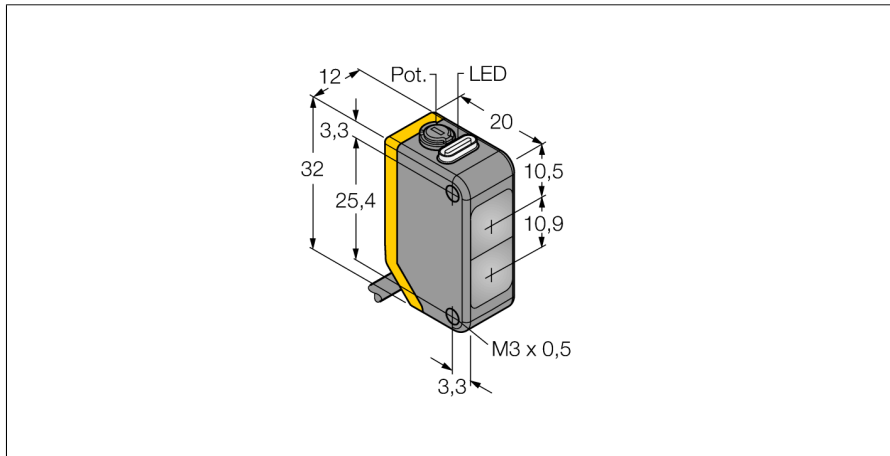
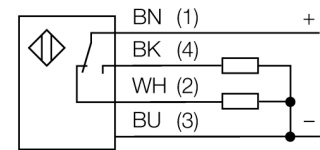


**Photoelectric sensor  
retroreflective sensor  
Q20PLV**



- Cable, PVC, 2 m
- Protection class IP67
- LED all-round visible
- Sensitivity adjusted via potentiometer
- Operating voltage: 10...30 VDC
- PNP switching output, changeover

**Wiring diagram**



<b>Type code</b>	Q20PLV
Ident no.	3077765
<b>Operating mode</b>	retro-reflective sensor
Light type	red
Wavelength	660 nm
Range	30...6000 mm
Ambient temperature	-20...+60 °C
<b>Operating voltage</b>	10...30VDC
Residual ripple	< 10 % U <sub>s</sub>
DC rated operational current	≤ 100 mA
No-load current I <sub>0</sub>	≤ 18 mA
Reverse polarity protection	yes
Output function	changover contact, PNP
Switching frequency	≤ 600 Hz
Readiness delay	≤ 100 ms
<b>Design</b>	rectangular, Q20
Dimensions	20 x 12 x 32 mm
Housing material	plastic, ABS
Lens	plastic, acrylic
Connection	cable, PVC
Cable length	2 m
Cable cross section	4 x 0.35 mm <sup>2</sup>
Protection class	IP67
<b>Power-on indication</b>	LED green
Switching state	LED yellow
Error indication	LED green flashing
Excess gain indication	LED yellow flashing

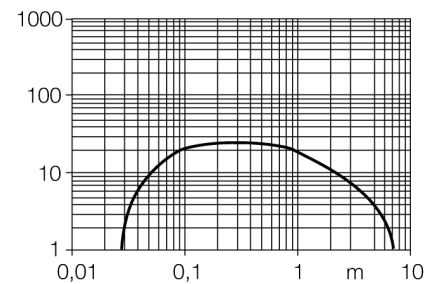
**Functional principle**

Retroreflective sensors have emitter and receiver circuitry incorporated in the same housing. The light beam of the emitter is directed towards a reflector which returns the light back to the receiver. A target is detected when it interrupts this beam. Retroreflective sensors feature some of the advantages of opposed mode sensors (good contrast and high excess gain). Furthermore, only one device has to be installed and wired. A smaller sensing range and susceptibility of devices without polarizing filter can be of disadvantage when shiny targets have to be detected.

**Excess gain curve**

Excess gain in relation to distance

**Excess gain curve**

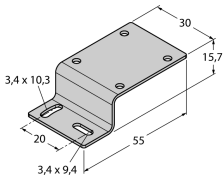
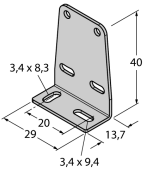
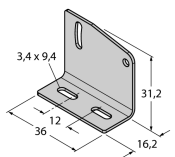
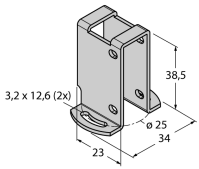


Photoelectric sensor  
retroreflective sensor  
Q20PLV

**TURCK**

Industrial  
Automation

**Accessories**

Type code	Ident no.	Description	Dimension drawing
SMBQ20H	3079041	Mounting bracket, stainless steel, horizontally mounted, for Q20	
SMBQ20L	3079040	Mounting bracket, stainless steel, rectangular, for Q20	
SMBQ20LV	3079042	Mounting bracket, stainless steel, rectangular, for Q20	
SMBQ20U	3079043	Protective housing, stainless steel, for Q20	

**Function accessories**

Type code	Ident no.	Description	Dimension drawing
BRT-84	3058979	Round reflector, reflection coefficient 1.4, material acrylic, ambient temperature -20 ... +60 °C	