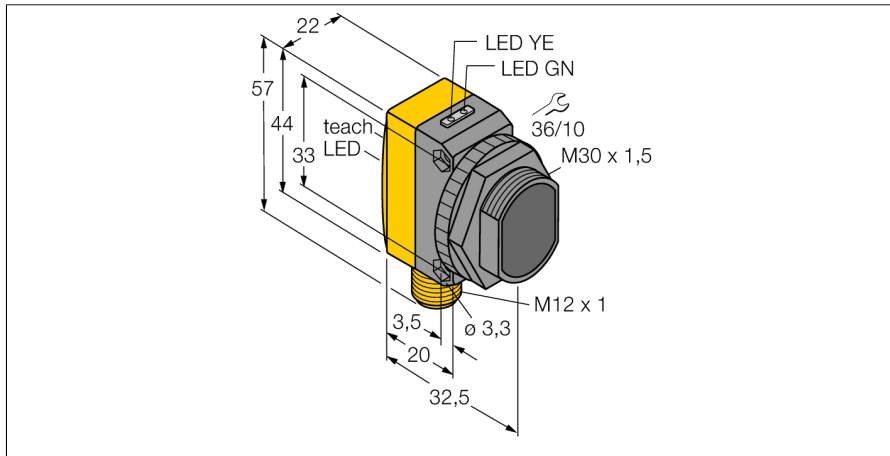
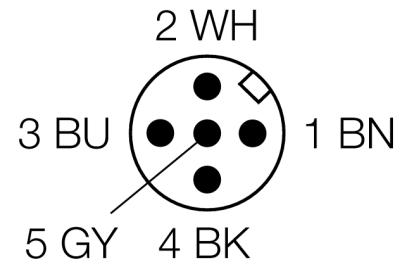
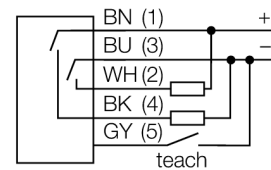


**Photoelectric sensor  
retroreflective sensor  
QS30ELVCQ**



- Male M12 x 1, 5-pin
- Protection class IP67
- LED all-round visible
- Teach button
- 8-segment bargraph
- Operating voltage: 10...30 VDC
- Switching output, bipolar
- Light or dark operation

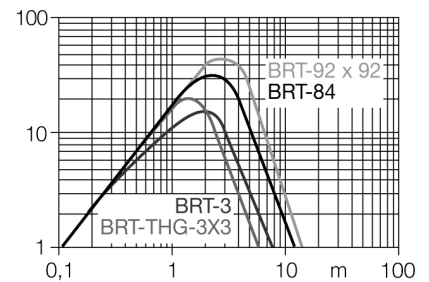
**Wiring diagram**



<b>Type code</b>	QS30ELVCQ
Ident no.	3081102
<b>Operating mode</b>	retro-reflective sensor
Light type	red
Wavelength	660 nm
Range	100...2000 mm
Ambient temperature	-10...+55 °C
<b>Operating voltage</b>	10...30VDC
Residual ripple	< 10 % U <sub>s</sub>
DC rated operational current	≤ 150 mA
No-load current I <sub>0</sub>	≤ 25 mA
Short-circuit protection	yes
Reverse polarity protection	yes
Output function	NO contact, PNP/NPN
Switching frequency	≤ 1000 Hz
Readiness delay	≤ 250 ms
<b>Design</b>	rectangular, QS30
Dimensions	35 x 22 x 57 mm
Housing material	plastic, ABS, yellow
Lens	plastic, acrylic
Connection	male, M12 x 1
Protection class	IP67
<b>Power-on indication</b>	LED green
Switching state	LED yellow
Error indication	LED green flashing
Excess gain indication	LED red

**Functional principle**

The QS30ELVC is a high-performance retro-reflective sensor for the detection of light, transparent and also opaque objects. Thanks to a special follow-up algorithm with automatic compensation, thresholds can be adjusted to constantly changing signal strengths. The sensor is thus perfectly suited for the detection of PET bottles, glass jars, reflecting surfaces, LCDs or even wafers.



**Photoelectric sensor  
retroreflective sensor  
QS30ELVCQ**

**TURCK**

Industrial  
Automation

**Accessories**

Type code	Ident no.	Description	Dimension drawing
SMB30A	3032723	Mounting bracket, stainless steel, for sensors with 30 mm thread	
SMBQS30L	3002809	Mounting bracket, stainless steel, for QS30 series	
SMBQS30Y	3002811	Protective housing, stainless steel, for QS30 series	
SMBQS30YL	3072741	Protective housing with safety glass panel, stainless steel, for QS30 series	

**Wiring accessories**

Type code	Ident no.	Description	Dimension drawing
WKC4.5T-2/TEL	6625028	Connection cable, female M12, angled, 5-pin, cable length: 2 m, sheath material: PVC, black; cULus approval; other cable lengths and qualities available, see <a href="http://www.turck.com">www.turck.com</a>	

Photoelectric sensor  
retroreflective sensor  
QS30ELVCQ

**TURCK**

Industrial  
Automation

Wiring accessories

Type code	Ident no.	Description	Dimension drawing
RKC4.5T-2/TEL	6625016	Connection cable, female M12, straight, 5-pin, cable length: 2 m, sheath material: PVC, black; cULus approval; other cable lengths and qualities available, see <a href="http://www.turck.com">www.turck.com</a>	