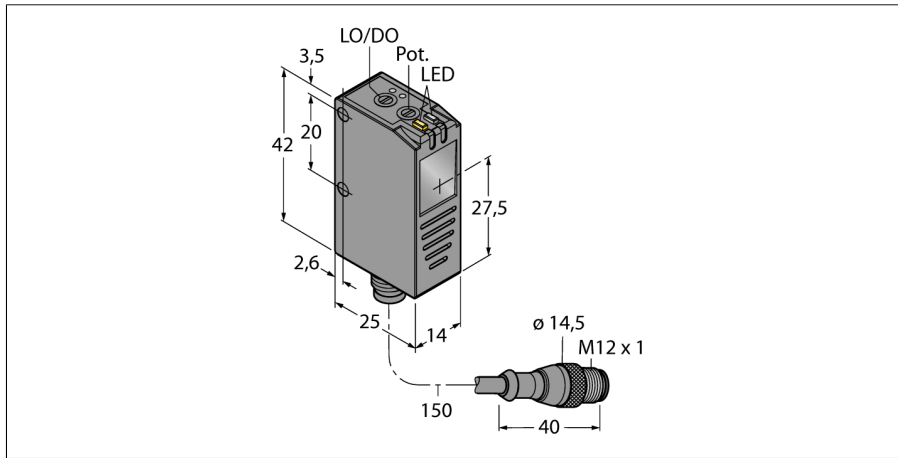
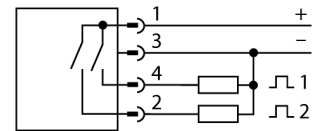


**Photoelectric sensor  
retroreflective sensor with polarizing filter  
for clear object detection  
Q26PXLPQ5**

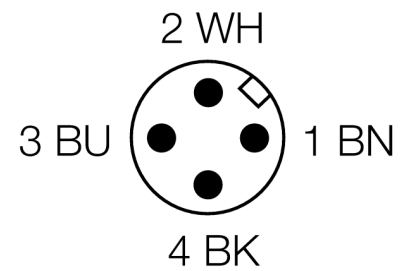


- Cable with male end M12 x 1, 4-pin
- Protection class IP67
- Light or dark operation, adjustable
- Sensitivity adjusted via potentiometer
- Coaxial optics, reduced blind zone
- Operating voltage: 10...30 VDC
- PNP switching output
- Switching output for insufficient excess gain

**Wiring diagram**



<b>Type code</b>	Q26PXLPQ5
Ident no.	3017131
<b>Operating mode</b>	retro-reflective sensor with polarisation filter
Light type	red
Wavelength	660 nm
Range	5...800 mm
Ambient temperature	-10...+55 °C
<b>Operating voltage</b>	12...30VDC
Residual ripple	< 10 % U <sub>s</sub>
No-load current I <sub>0</sub>	≤ 15 mA
Short-circuit protection	yes
Reverse polarity protection	yes
Output function	2x NO, PNP
Switching frequency	4 kHz
<b>Design</b>	rectangular, Q26
Dimensions	25 x 14 x 42 mm
Housing material	plastic, ABS, black
Lens	glass
Connection	cable with connector, PVC, M12 x 1
Cable length	0.15 m
Protection class	IP67
<b>Power-on indication</b>	LED green
Switching state	LED yellow



**Functional principle**

The Q26 is a retroreflective sensor for the detection of light, transparent and also opaque objects. The sensor is perfectly suited for the detection of PET bottles, glass jars, reflecting surfaces, LCD glasses or even semiconductor wafers. In addition to a coaxial optics, the sensor is also equipped with an auxiliary output that switches when excess gain is outside the normal range. The sensitivity is adjusted via potentiometer, in order to distinguish green from transparent bottles for example. Light or dark operation is adjusted via rotary switch.

**Photoelectric sensor  
retroreflective sensor with polarizing filter  
for clear object detection  
Q26PXLQ5**

**Accessories**

Type code	Ident no.	Description	Dimension drawing
SMBLSTQ26	3019506	Mounting bracket, stainless steel, for Q26	
SMBLSTDLQ26	3018180	Mounting bracket, stainless steel, rectangular, for Q26	

**Wiring accessories**

Type code	Ident no.	Description	Dimension drawing
RKC4.4T-2/TEL	6625013	Connection cable, female M12, straight, 4-pin, cable length: 2 m, sheath material: PVC, black; cULus approval; other cable lengths and qualities available, see <a href="http://www.turck.com">www.turck.com</a>	
WKC4.4T-2/TEL	6625025	Connection cable, female M12, angled, 4-pin, cable length: 2 m, sheath material: PVC, black; cULus approval; other cable lengths and qualities available, see <a href="http://www.turck.com">www.turck.com</a>	

**Function accessories**

Type code	Ident no.	Description	Dimension drawing
BRT-60X40C	3044997	Rectangular reflector, reflection coefficient 1.48, material: acrylic, ambient temperature -20...+60 °C	