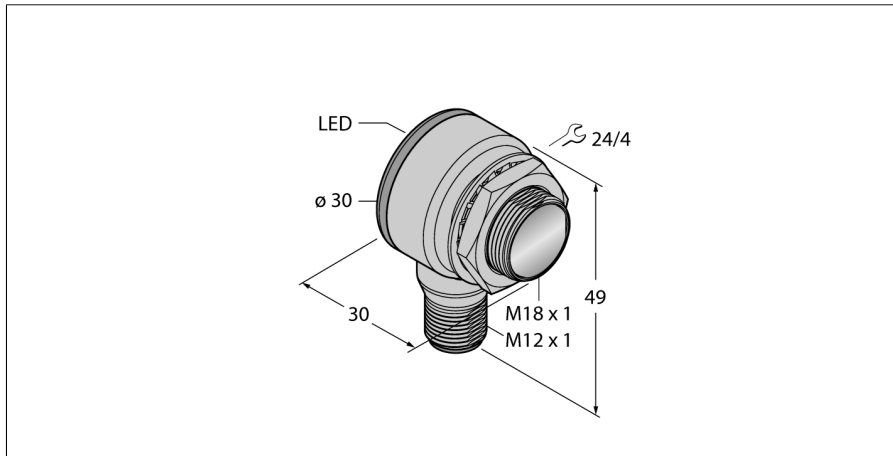
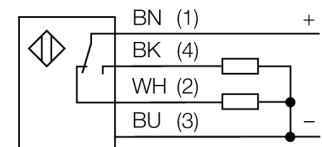


**Photoelectric sensor
retroreflective sensor with polarizing filter
TM18VP6LPQ8**



- Male M12 x 1, 5-pin
- Protection classes IP67/IP69K
- Ambient temperature: -40...+70 ° C
- Metal housing
- Operating voltage: 10...30 VDC
- PNP switching output, light and dark operation

Wiring diagram



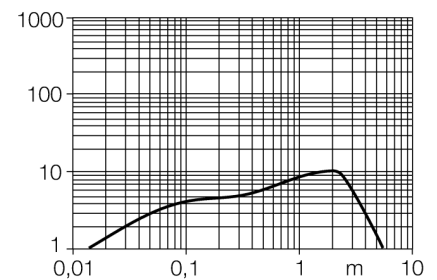
Type code	TM18VP6LPQ8
Ident no.	3042005
Operating mode	retro-reflective sensor with polarisation filter
Light type	red
Wavelength	624 nm
Range	0...5500 mm
Ambient temperature	-40...+70 ° C
Operating voltage	10...30VDC
No-load current I ₀	≤ 25 mA
Short-circuit protection	yes/ cyclic
Reverse polarity protection	yes
Output function	changover contact, PNP
Switching frequency	≤ 500 Hz
Readiness delay	≤ 100 ms
Design	cylindrical/threaded, TM18
Dimensions	30 x 30 x 49 mm
Housing material	metal/plastic, CuZn
Lens	plastic, acrylic
Connection	male, M12 x 1
Protection class	IP67 / IP69K
Power-on indication	LED green
Switching state	LED yellow
Error indication	LED green flashing
Alarm display	LED yellow flashing

Functional principle

Retro-reflective sensors incorporate emitter and receiver in a single compact housing. The light beam of the emitter is directed towards a reflector which returns the light back to the receiver. An object is detected when it interrupts this beam. Retro-reflective sensors have a high function gain and good contrast performance. Further it is merely required to install and wire a single device.

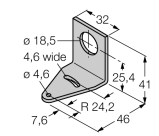
Excess gain curve

Excess gain in relation to the distance

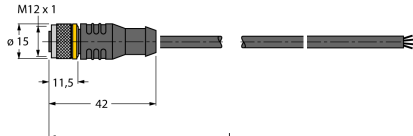
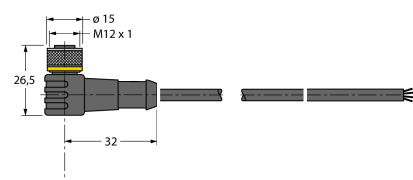


**Photoelectric sensor
retroreflective sensor with polarizing filter
TM18VP6LPQ8**

Accessories

Type code	Ident no.	Description	Dimension drawing
SMBT18Y	3069554	mounting bracket, rectangular, for sensors with 18 mm thread, 15.3 mm cable feedthrough or M12 x 1 male	
SMB18A	3033200	Mounting bracket, stainless steel, for sensors with 18 mm thread	
SMBAMS18P	3073134	Mounting bracket, stainless steel, for sensors with 18 mm thread	

Wiring accessories

Type code	Ident no.	Description	Dimension drawing
RKC4.4T-2/TEL	6625013	Connection cable, female M12, straight, 4-pin, cable length: 2 m, sheath material: PVC, black; cULus approval; other cable lengths and qualities available, see www.turck.com	
WKC4.4T-2/TEL	6625025	Connection cable, female M12, angled, 4-pin, cable length: 2 m, sheath material: PVC, black; cULus approval; other cable lengths and qualities available, see www.turck.com	

**Photoelectric sensor
retroreflective sensor with polarizing filter
TM18VP6LPQ8**

TURCK

Industrial
Automation

Function accessories

Type code	Ident no.	Description	Dimension drawing
BRT-84	3058979	Round reflector, reflection coefficient 1.4, material acrylic, ambient temperature -20 ... +60 °C	