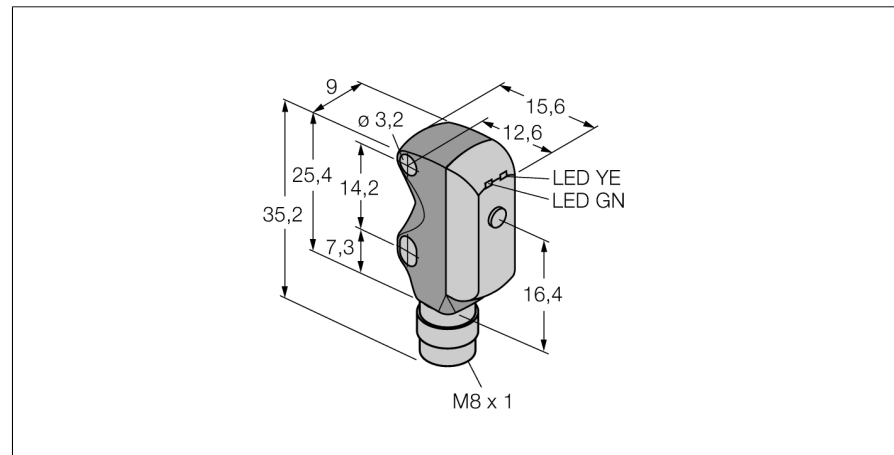
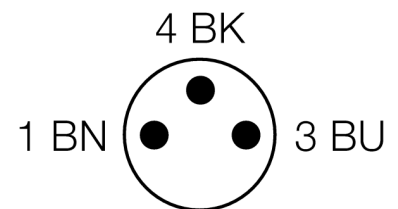
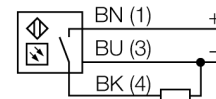


**Photoelectric sensor  
retroreflective sensor with polarizing filter  
miniature sensor  
VS3RP5XLPQ**



- Male M8 x 1; 3-pin
- Coaxial optics, no blind zone
- Operating voltage: 10...30 VDC
- PNP switching output, dark operation

**Wiring diagram**



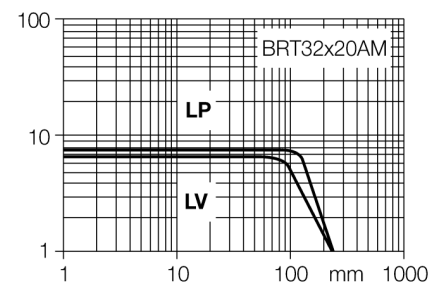
<b>Type code</b>	VS3RP5XLPQ
Ident no.	3062626
<b>Operating mode</b>	retro-reflective sensor with polarisation filter
Light type	red
Wavelength	680 nm
Range	0...250 mm
Ambient temperature	-20...+55 °C
<b>Operating voltage</b>	10...30VDC
Residual ripple	< 10 % U <sub>s</sub>
DC rated operational current	≤ 50 mA
No-load current I <sub>0</sub>	≤ 25 mA
Short-circuit protection	yes
Reverse polarity protection	yes
Output function	NO, dark operation, PNP
Switching frequency	≤ 500 Hz
Readiness delay	≤ 150 ms
<b>Design</b>	rectangular, VS3
Dimensions	16.6 x 9 x 25.4 mm
Housing material	plastic, ABS
Lens	glass
Connection	male, M8 x 1
Protection class	IP67
<b>Power-on indication</b>	LED green
Switching state	LED yellow
Error indication	LED green

**Functional principle**

Retro-reflective sensors incorporate emitter and receiver in a single compact housing. The light beam of the emitter is directed towards a reflector which returns the light back to the receiver. An object is detected when it interrupts this beam. Retro-reflective sensors incorporate some of the advantages of opposed mode sensors (good contrast and high excess gain). Further it is merely required to install and wire a single device. Devices with polarisation filter should be used for detection of shiny targets.

**Excess gain curve**

Excess gain in relation to the distance



**Photoelectric sensor  
retroreflective sensor with polarizing filter  
miniature sensor  
VS3RP5XLPQ**

**Accessories**

Type code	Ident no.	Description	Dimension drawing
SMBVS3S	3062618	Montagewinkel, 300 Edelstahl, rechtwinklig, für Sensoren der Baureihe VS3	
SMBVS3T	3062617	Montagewinkel, 300 Edelstahl, rechtwinklig, sehr hoch, für Sensoren der Baureihe VS3	

**Wiring accessories**

Type code	Ident no.	Description	Dimension drawing
PKG3M-2/TEL	6625058	Connection cable, female M8, straight, 3-pin, cable length: 2 m, sheath material: PVC, black; cULus approval; other cable lengths and qualities available, see <a href="http://www.turck.com">www.turck.com</a>	
PKW3M-2/TEL	6625064	Connection cable, female M8, angled, 3-pin, cable length: 2 m, sheath material: PVC, black; cULus approval; other cable lengths and qualities available, see <a href="http://www.turck.com">www.turck.com</a>	

**Function accessories**

Type code	Ident no.	Description	Dimension drawing
BRT-32X20AM	3058982	Rectangular reflector, reflection coefficient 1.2, material acrylic, ambient temperature -20 ... +60 °C, microprism geometry	