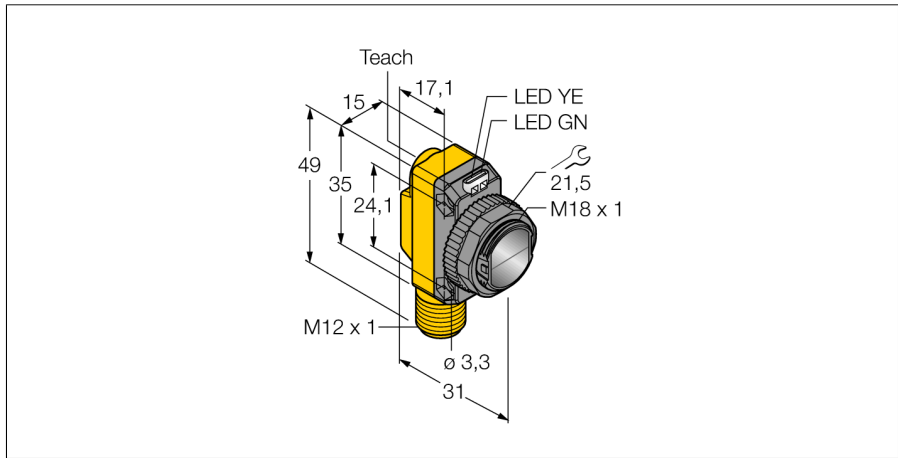
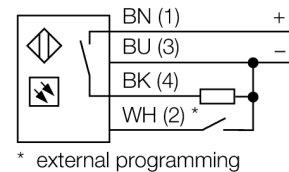


Photoelectric sensor
Retroreflective sensor with polarizing filter
QS18EP6LPQ8



- Male M12 x 1; 4-pin
- Protection class IP67
- LED all-round visible
- Sensitivity adjusted via teach button
- Operating voltage: 10...30 VDC
- PNP switching output
- Light or dark operation

Wiring diagram



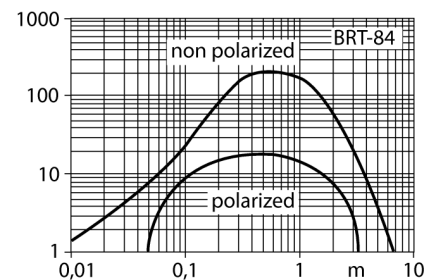
| | |
|--------------------------------|--|
| Type code | QS18EP6LPQ8 |
| Ident no. | 3071987 |
| Operating mode | retro-reflective sensor with polarisation filter |
| Light type | red |
| Wavelength | 660 nm |
| Range | 50...3500 mm |
| Ambient temperature | -20...+70 °C |
| Operating voltage | 10...30VDC |
| DC rated operational current | ≤ 100 mA |
| No-load current I ₀ | ≤ 35 mA |
| Reverse polarity protection | yes |
| Output function | NO contact, PNP |
| Switching frequency | ≤ 833 Hz |
| Design | rectangular, QS18 |
| Dimensions | 31 x 15 x 35 mm |
| Housing material | plastic, ABS |
| Lens | plastic, acrylic |
| Connection | male, M12 x 1 |
| Protection class | IP67 |
| Power-on indication | LED green |
| Switching state | LED yellow |
| Error indication | LED green flashing |
| Alarm display | LED yellow flashing |

Functional principle

Retro-reflective sensors incorporate emitter and receiver in the same compact housing. The light beam of the emitter is directed towards a reflector which returns the light back to the receiver. An object is detected when it interrupts this beam. Retro-reflective sensors incorporate some of the advantages of opposed mode sensors (good contrast and high excess gain). Further it is merely required to install and wire a single device. A smaller sensing range and susceptibility of devices without polarisation filter can be of disadvantage when shiny objects have to be detected.

Excess gain curve

Excess gain in relation to the distance (type LP)



**Photoelectric sensor
Retroreflective sensor with polarizing filter
QS18EP6LPQ8**

TURCK

Industrial
Automation

Accessories

| Type code | Ident no. | Description | Dimension drawing |
|-------------|-----------|---|-------------------|
| SMB18A | 3033200 | Mounting bracket, stainless steel, for sensors with 18 mm thread | |
| SMB18AFAM10 | 3012558 | Mounting bracket, material VA 1.4401, for M10 x 1.5 thread, thread length 18 mm | |
| SMBQS18A | 3069721 | Mounting bracket, stainless steel, for 18 mm thread | |
| SMB18SF | 3052519 | Mounting bracket, PTB black steel, for sensors with 18 mm thread | |

Wiring accessories

| Type code | Ident no. | Description | Dimension drawing |
|---------------|-----------|--|-------------------|
| RKC4.4T-2/TEL | 6625013 | Connection cable, female M12, straight, 4-pin, cable length: 2 m, sheath material: PVC, black; cULus approval; other cable lengths and qualities available, see www.turck.com | |

**Photoelectric sensor
Retroreflective sensor with polarizing filter
QS18EP6LPQ8**

Wiring accessories

| Type code | Ident no. | Description | Dimension drawing |
|---------------|-----------|--|-------------------|
| WKC4.4T-2/TEL | 6625025 | Connection cable, female M12, angled, 4-pin, cable length: 2 m, sheath material: PVC, black; cULus approval; other cable lengths and qualities available, see www.turck.com | |

Function accessories

| Type code | Ident no. | Description | Dimension drawing |
|-----------|-----------|---|-------------------|
| BRT-84 | 3058979 | Round reflector, reflection coefficient 1.4, material acrylic, ambient temperature -20 ... +60 °C | |