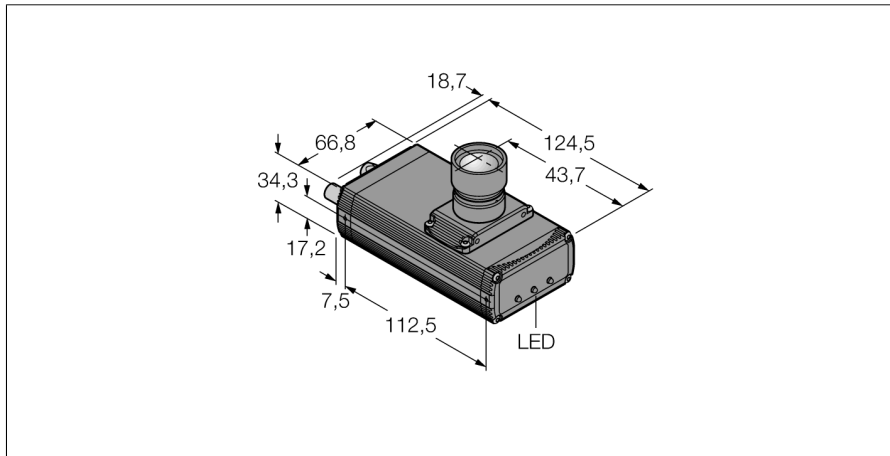


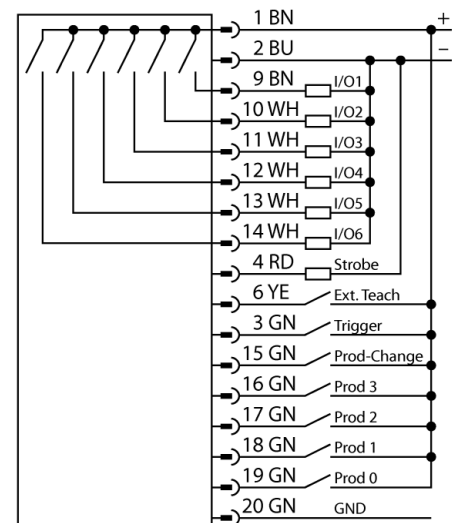
Vision systems
camera with integrated analysis
P4AR



- BLOB detection and mean gray scale analysis for basic inspections within the selected range.
- High-speed inspection of more than 10,000 parts per minute.
- 1/5" CMOS, 128x100 pixels
- 256 gray scale values
- One-piece design with camera and integrated controller
- Lens connection vertical to longitudinal axis of housing
- protection class IP20
- Lens to be ordered separately
- Operating voltage: 10...30 VDC via M12 x 1 male, 12-pole
- External trigger input
- External strobe output, M8x1, 3-pole
- EtherNet/IP and Modbus TCP interface via RJ45
- RS232 data communication
- Coaxial BNC video connection cable

| | |
|------------------------------|------------------------|
| Type code | P4AR |
| Ident no. | 3074771 |
| Design | rectangular, P4 |
| Dimensions | 124.5 x 66.8 x 34.3 mm |
| Housing material | aluminium |
| Connection | male, M12 x 1, 12-wire |
| Protection class | IP20 |
| Ambient temperature | 0...+50 °C |
| Power on display | LED, green |
| Switching state | LED green |
| Error indication | LED red |
| Operating voltage | 10...30VDC |
| DC rated operational current | ≤ 650 mA |
| Switch element function | NO contact, PNP/NPN |
| Output current | ≥ 150 mA |
| Operating mode | AREA |
| Auflösung | 128 x 100 Pixel |

Wiring diagram



Functional principle

The camera system PresencePLUS P4 consists of a camera with an integrated processing unit. Lens, lighting and connection cable are to be ordered separately. Freeware and firmware updates are available for download on:

www.bannerengineering.com

Vision systems
camera with integrated analysis
P4AR

TURCK

Industrial
Automation

Wiring accessories

| Type code | Ident no. | Description | Dimension drawing |
|-----------|-----------|--|-------------------|
| P4C06 | 3073491 | Power supply, M12x1 female, 12-pole, 1.83m | |
| BNC06 | 3067458 | Coaxial BNC connection cable, 1.83 m | |
| STP07 | 3069985 | RJ45 Ethernet data cable, 2.13m | |