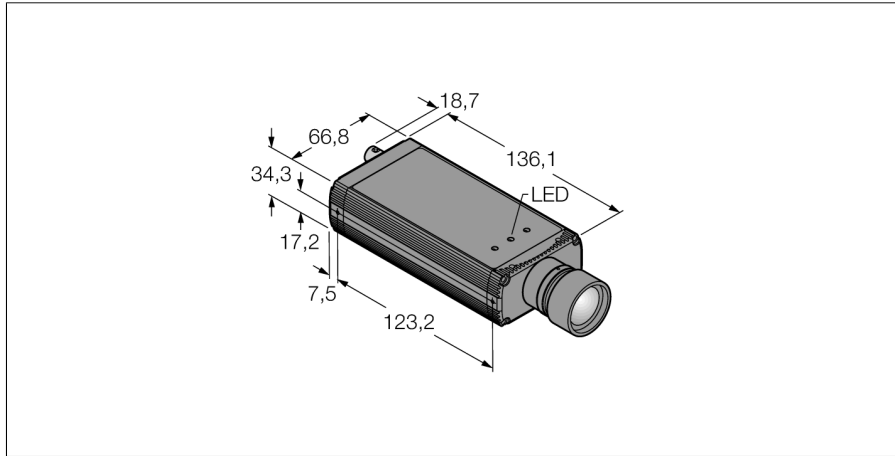


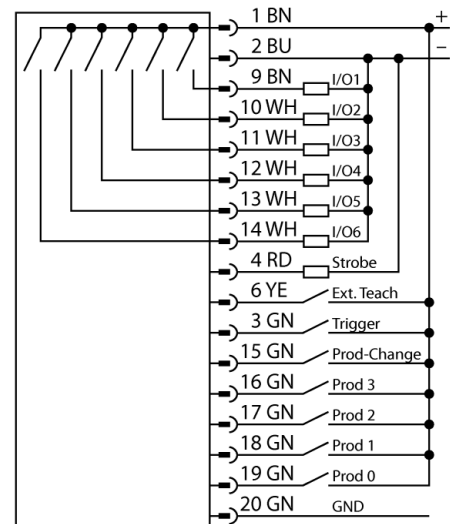
Vision systems
camera with integrated analysis
P4AI



- **BLOB detection and mean gray scale analysis for basic inspections within the selected range.**
- **High-speed inspection of more than 10,000 parts per minute.**
- **1/5" CMOS, 128x100 pixels**
- **256 gray scale values**
- **One-piece design with camera and integrated controller**
- **Lens connection in longitudinal axis of housing**
- **protection class IP20**
- **Lens to be ordered separately**
- **Operating voltage: 10...30 VDC via M12 x 1 male, 12-pole**
- **External trigger input**
- **External strobe output, M8x1, 3-pole**
- **EtherNet/IP and Modbus TCP interface via RJ45**
- **RS232 data communication**
- **Coaxial BNC video connection cable**

Type code	P4AI
Ident no.	3074772
Design	inline, P4
Dimensions	136.1 x 66.8 x 34.3 mm
Housing material	aluminium
Connection	male, M12 x 1, 12-wire
Protection class	IP20
Ambient temperature	0...+50 °C
Power on display	LED, green
Switching state	LED green
Error indication	LED red
Operating voltage	10...30VDC
DC rated operational current	≤ 650 mA
Switch element function	NO contact, PNP/NPN
Output current	≥ 150 mA
Operating mode	AREA
Auflösung	128 x 100 Pixel

Wiring diagram



Functional principle

The camera system PresencePLUS P4 consists of a camera with an integrated processing unit. Lens, lighting and connection cable are to be ordered separately. Freeware and firmware updates are available for download on:

www.bannerengineering.com

**Vision systems
camera with integrated analysis
P4AI**

TURCK

Industrial
Automation

Wiring accessories

Type code	Ident no.	Description	Dimension drawing
P4C06	3073491	Power supply, M12x1 female, 12-pole, 1.83m	
BNC06	3067458	Coaxial BNC connection cable, 1.83 m	
STP07	3069985	RJ45 Ethernet data cable, 2.13m	