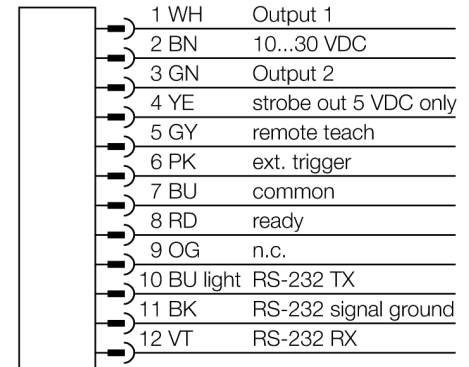




- Internal memory for 30 inspections
- 1/3" CMOS, 752x480 pixels
- Integrated ring light: Infrared
- Protection class IP67
- External strobe output + 5 VDC
- External trigger input
- Lens, 25mm, M12x1
- Ethernet IP data communication: M8 male connector, 4-pole
- 3 x parameterizable switching output
- Operating voltage: 10...30 VDC
- USB 2.0 host: M8 female connector, 4-pole
- External strobe output: +5 VDC
- Display: Integrated 68.5 mm LCD color display, 320 x 240 transreflective

|                              |                        |
|------------------------------|------------------------|
| <b>Type code</b>             | IVUPTBI25              |
| Ident no.                    | 3016566                |
| <b>Design</b>                | rectangular, iVu PLUS  |
| Dimensions                   | 51.5 x 81.2 x 95.3 mm  |
| Housing material             | plastic, PBT           |
| Window material              | Acrylic, clear         |
| Connection                   | male, M12 x 1, 12-wire |
| Protection class             | IP67                   |
| Ambient temperature          | 0...+50 °C             |
| <b>Power on display</b>      | LED, green             |
| Switching state              | LED green              |
| Error indication             | LED red                |
| <b>Operating voltage</b>     | 10...30VDC             |
| DC rated operational current | ≤ 850 mA               |
| Short-circuit protection     | yes/ cyclic            |
| Reverse polarity protection  | yes                    |
| Switch element function      | programmable, PNP/NPN  |
| Output current               | ≥ 150 mA               |
| <b>Operating mode</b>        | BCR                    |
| Auflösung                    | 752 x 480 Pixel        |
| Bildfrequenz                 | 100 fps                |
| Light type                   | IR                     |
| Brennweite                   | 25 mm                  |

**Wiring diagram**



**Functional principle**

The barcode reader consists of a camera and an integrated light (not IVUPTBX version) able to scan up to 10 different barcodes and to transmit the data via Ethernet IP interface. A selection can be configured for certain barcode types such as DataMatrix (ECC 200) and a number of linear codes such as Code128, Code39, CODABAR, Interleaved 2 of 5, EAN13, EAN8, UPCE, Postnet, IMB and Pharmacode.

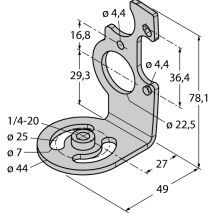
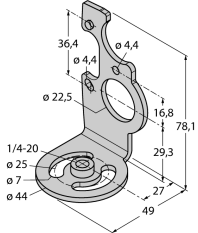
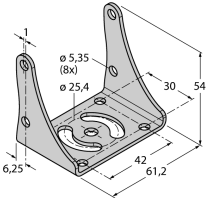
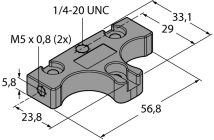
Sensor configuration via PC is not required! Transmission of log files and firmware updates via USB interface.



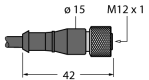
#### Selecting the focal length

With known object size or scan field the matching vision sensor is found simply by determining the ratio between the sensing range and the focal length. Use the graphics for selection. Here, the sensing ranges are put in relation to the field view and the lens focal length.

**Accessories**

| Type code | Ident no. | Description   | Dimension drawing   |
|-----------|-----------|---|---|
| SMBIVURAR | 3082547   | Brackets for mounting on right side                   |    |
| SMBIVURAL | 3082546   | Brackets for mounting on left side                    |    |
| SMBIVUU   | 3082549   | U-bracket for base mounting (incl. SMBIVUB baseplate) |  |
| SMBIVUB   | 3082548   | Baseplate to extend the installation                  |  |

**Wiring accessories**

| Type code   | Ident no. | Description  | Dimension drawing   |
|-------------|-----------|--|---|
| IVUC-1206   | 3014407   | Power supply, M12x1 female, 12-pole, 1.83m             |  |
| IVUC-1206RA | 3014412   | Power supply, M12x1 rectangular female, 12-pole, 1.83m |   |

**Wiring accessories**

| Type code      | Ident no. | Description   | Dimension drawing |
|----------------|-----------|---|-------------------|
| IVUC-E-406     | 3013892   | Ethernet connection cable, M8x1 on RJ45, 4-pole, 2m |                   |
| PSG-4M-401-USB | 3011336   | USB adapter cable, male M12x1, 4-pole, 0.3m         |                   |