



TEMPERATURE MONITORING RELAY FOR IO-LINK  
THERMOCOUPLER J,K,T,E,N,R,S,B 2 LIMIT VALUES -99  
DEGR. C TO 1800 DEGR. C 3X1W,  
BAUBR. 45 SCREW TERMINAL

### General technical details:

<b>Type of voltage</b>		DC
<b>Supply voltage frequency</b>		
• 1 / for DC / rated value	V	24
• 1 / for DC / initial rated value	V	18
• 1 / for DC / final rated value	V	30
<b>Product function</b>		
• defect storage		Yes
• reset external		Yes
<b>Number of measuring circuits</b>		1
<b>Number of NC contacts / for auxiliary contacts</b>		0
<b>Number of NO contacts / for auxiliary contacts</b>		0
<b>Number of changeover contacts / for auxiliary contacts</b>		3
<b>Measurable temperature</b>		
• initial value	°C	-99
• final value	°C	1,800
<b>Reference code / according to DIN EN 61346-2</b>		K
<b>Reference code / according to DIN 40719 extended according to IEC 204-2 / according to IEC 750</b>		K
<b>Ambient temperature</b>		

- during operating

°C -25 ... +60

#### Communication:

Type of voltage supply / via input/ output link master		Yes
IO-Link transfer rate		COM2 (38,4 kBaud)
Protocol / is supported / IO-Link protocol		Yes
Data volume		
• of the address range of the outputs / with cyclical transfer / total	byte	2
• of the address range of the inputs / with cyclical transfer / total	byte	4
Point-to-point cycle time / between master and IO-Link device / minimum	ms	10

#### Mechanical design:

Design of the electrical connection		
• for auxiliary and control current circuit		screw-type terminals
• jumper socket		Yes
Design of the sensor / connectable		type J, K, T, E, N, R, S, B (thermocouple)
Width	mm	45
Height	mm	106
Depth	mm	91

#### Certificates/approvals:

General Product Approval

other



[Manufacturer declaration](#)

[Declaration of Conformity](#)

[Environmental Confirmations](#)

#### Further information:

Information- and Downloadcenter (Catalogs, Brochures,...)

<http://www.siemens.com/industrial-controls/catalogs>

Industry Mall (Online ordering system)

<http://www.siemens.com/industrial-controls/mall>

Cax online generator:

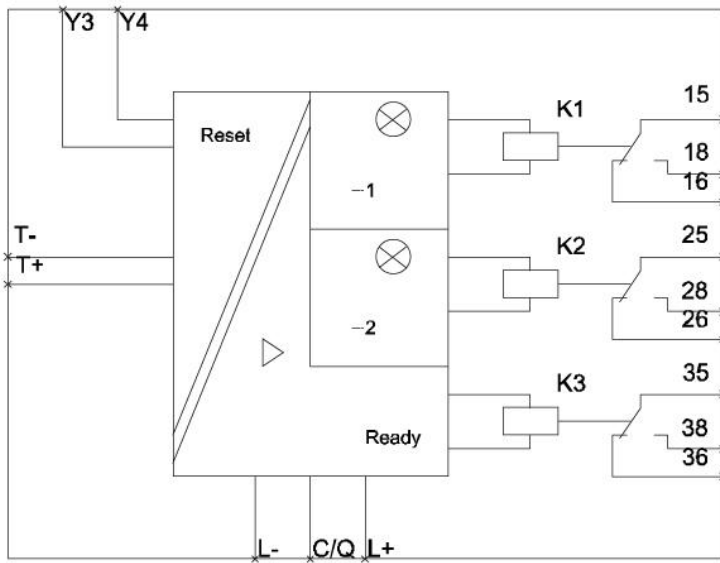
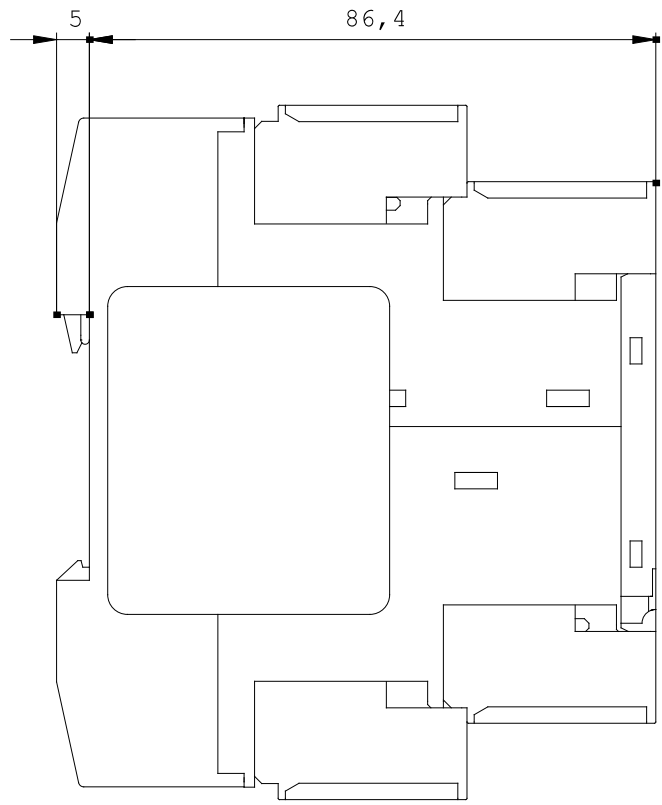
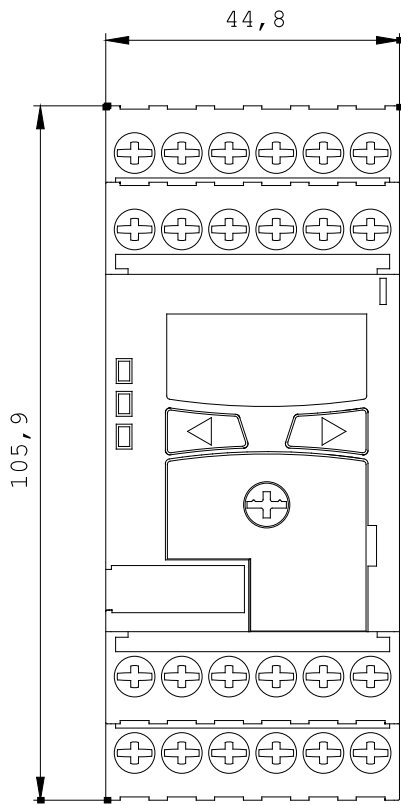
<http://www.siemens.com/cax>

Service&Support (Manuals, Certificates, Characteristics, FAQs,...)

<http://support.automation.siemens.com/WWW/view/en/3RS1540-1HB80/all>

Image database (product images, 2D dimension drawings, 3D models, device circuit diagrams, ...)

[http://www.automation.siemens.com/bilddb/cax\\_en.aspx?mlfb=3RS1540-1HB80](http://www.automation.siemens.com/bilddb/cax_en.aspx?mlfb=3RS1540-1HB80)



last change:

Jul 28, 2014