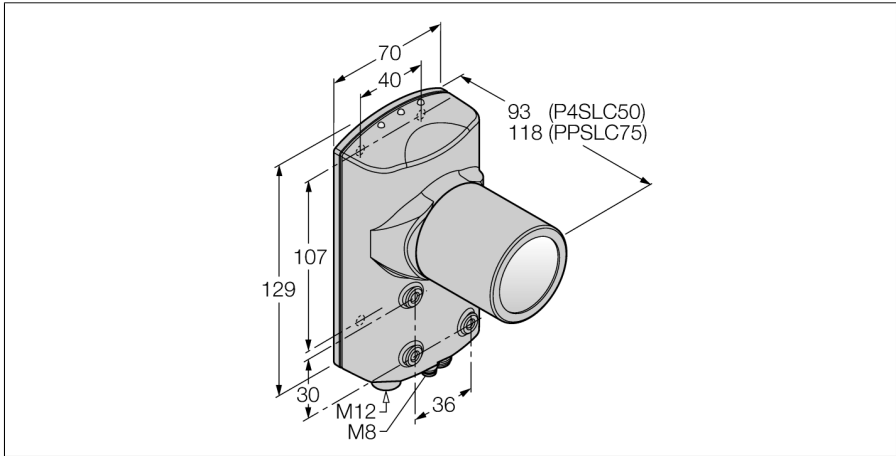


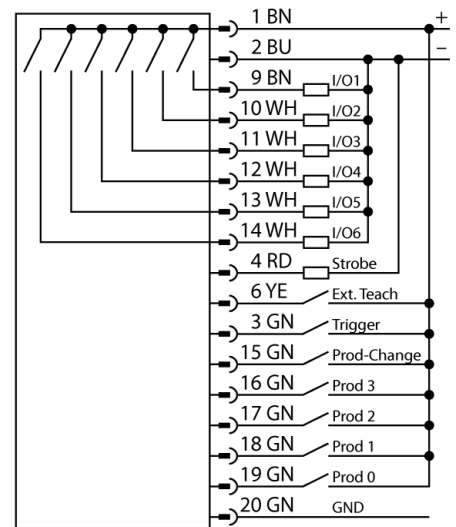
**Vision systems**  
**camera with integrated analysis**  
**P4ORS-OC**



- Reads printed characters and converts them in ASCII string (OCR)
- Compares printed text with approved ASCII string (OCV)
- 1/3" CCD, 640x480 pixels
- 256 gray scale values
- One-piece design with camera and integrated controller
- Lens connection vertical to longitudinal axis of housing
- Protection class IP68
- Lens to be ordered separately
- Operating voltage: 10...30 VDC via M12 x 1 male, 12-pole
- External trigger input
- External strobe output, M8x1, 3-pole
- EtherNet/IP and Modbus TCP interface, M12x1, 8-pole
- RS232 data communication
- Video input

|                              |                        |
|------------------------------|------------------------|
| <b>Type code</b>             | P4ORS-OC               |
| Ident no.                    | 3010419                |
| <b>Design</b>                | rectangular, P4        |
| Dimensions                   | 129 x 70 x 93 mm       |
| Housing material             | aluminium              |
| Connection                   | male, M12 x 1, 12-wire |
| Protection class             | IP68                   |
| Ambient temperature          | 0...+50 °C             |
| <b>Power on display</b>      | LED, green             |
| Switching state              | LED green              |
| Error indication             | LED red                |
| <b>Operating voltage</b>     | 10...30VDC             |
| DC rated operational current | ≤ 650 mA               |
| Switch element function      | NO contact, PNP/NPN    |
| Output current               | ≥ 150 mA               |
| <b>Operating mode</b>        | OCR/OCV                |
| Auflösung                    | 640 x 480 Pixel        |

**Wiring diagram**



**Functional principle**

The camera system PresencePLUS P4 consists of a camera with an integrated processing unit. Lens, lighting and connection cable are to be ordered separately. Freeware and firmware updates are available for download on:

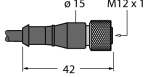
[www.bannerengineering.com](http://www.bannerengineering.com)

Vision systems  
camera with integrated analysis  
P4ORS-OC

**TURCK**

Industrial  
Automation

Wiring accessories

| Type code     | Ident no. | Description                                | Dimension drawing   |
|---------------|-----------|--|---|
| MQDC2S-1206   | 3011420   | Power supply, M12x1 female, 12-pole, 1.83m |  |
| PKG4M-2/CS    | 3079986   | Coaxial BNC connection cable, 2.0m         |   |
| STP-MAQDC-806 | 3079990   | Ethernet data cable, RJ45 on M8x1, 1.83 m  |   |