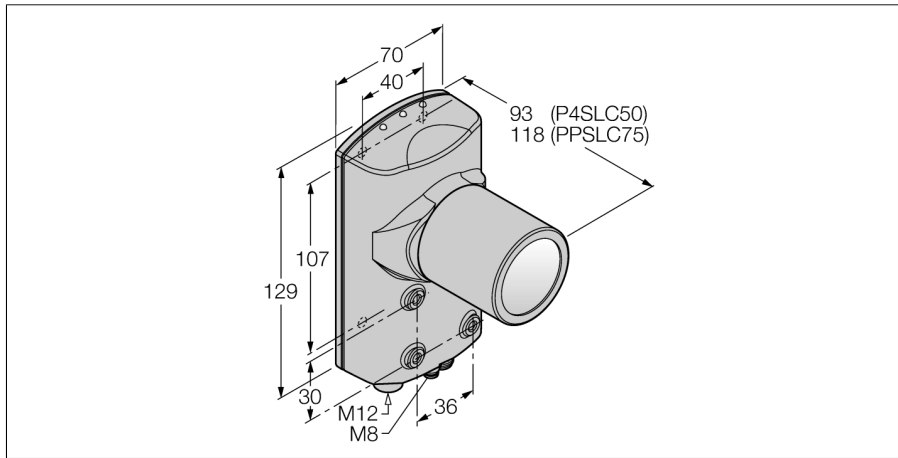


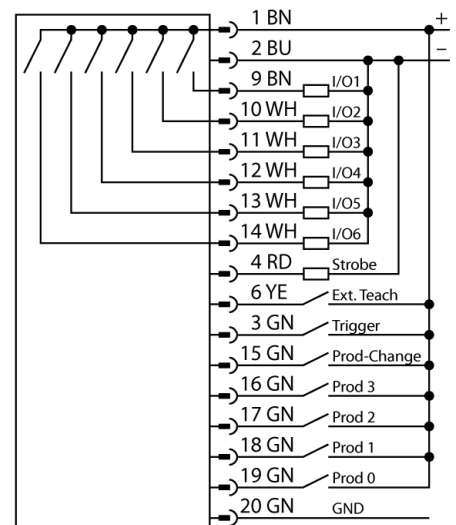
Vision systems
camera with integrated analysis
P4ORS



- Full scope of function, AREA, EDGE and GEO
- 1/3" CCD, 640x480 pixels
- 256 gray scale values
- One-piece design with camera and integrated controller
- Lens connection vertical to longitudinal axis of housing
- Protection class IP68
- Lens to be ordered separately
- Operating voltage: 10...30 VDC via M12 x 1 male, 12-pole
- External trigger input
- External strobe output, M8x1, 3-pole
- EtherNet/IP and Modbus TCP interface, M12x1, 8-pole
- RS232 data communication
- Video input

Type code	P4ORS
Ident no.	3010407
Design	rectangular, P4
Dimensions	129 x 70 x 93 mm
Housing material	aluminium
Connection	male, M12 x 1, 12-wire
Protection class	IP68
Ambient temperature	0...+50 °C
Power on display	LED, green
Switching state	LED green
Error indication	LED red
Operating voltage	10...30VDC
DC rated operational current	≤ 650 mA
Switch element function	NO contact, PNP/NPN
Output current	≥ 150 mA
Operating mode	OMNI
Auflösung	640 x 480 Pixel

Wiring diagram



Functional principle

The camera system PresencePLUS P4 consists of a camera with an integrated processing unit. Lens, lighting and connection cable are to be ordered separately. Freeware and firmware updates are available for download on:

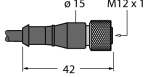
www.bannerengineering.com

**Vision systems
camera with integrated analysis
P4ORS**

TURCK

Industrial
Automation

Wiring accessories

Type code	Ident no.	Description	Dimension drawing
MQDC2S-1206	3011420	Power supply, M12x1 female, 12-pole, 1.83m	
PKG4M-2/CS	3079986	Coaxial BNC connection cable, 2.0m	
STP-MAQDC-806	3079990	Ethernet data cable, RJ45 on M8x1, 1.83 m	