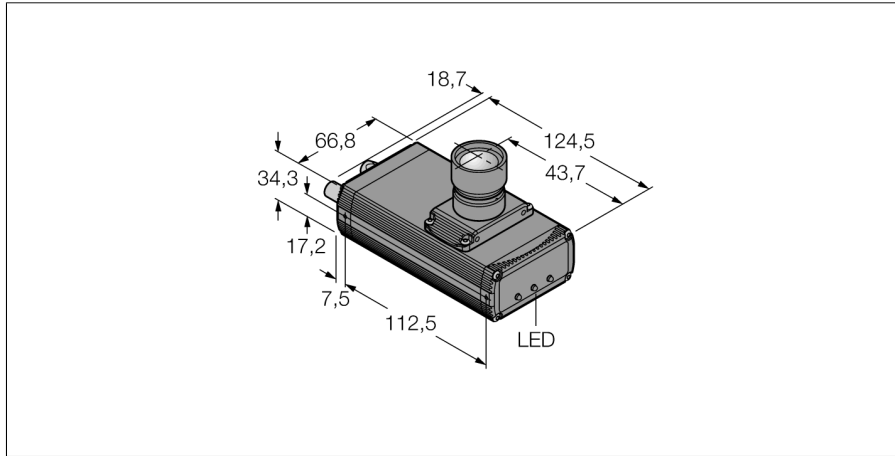
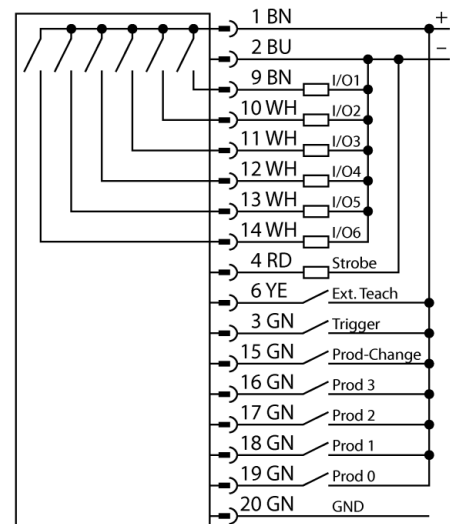


Vision systems
camera with integrated analysis
P4OR-OC



- Full scope of function, AREA, EDGE and GEO
- 1/3" CCD, 640x480 pixels
- 256 gray scale values
- Universal application for extended inspection
- AREA function
- EDGE function
- GEO function
- OCR/OCV function

Wiring diagram



Type code	P4OR-OC
Ident no.	3079908
Design	rectangular, P4
Dimensions	124.5 x 66.8 x 34.3 mm
Housing material	aluminium
Connection	male, M12 x 1, 12-wire
Protection class	IP20
Ambient temperature	0...+50 °C
Power on display	LED, green
Switching state	LED green
Error indication	LED red
Operating voltage	10...30VDC
DC rated operational current	≤ 650 mA
Switch element function	NO contact, PNP/NPN
Output current	≥ 150 mA
Operating mode	OMNI
Auflösung	640 x 480 Pixel

Functional principle

The camera system PresencePLUS P4 consists of a camera with an integrated processing unit. Lens, lighting and connection cable are to be ordered separately. Freeware and firmware updates are available for download on:

www.bannerengineering.com

Vision systems
camera with integrated analysis
P4OR-OC

TURCK

Industrial
Automation

Wiring accessories

Type code	Ident no.	Description	Dimension drawing
P4C06	3073491	Power supply, M12x1 female, 12-pole, 1.83m	
BNC06	3067458	Coaxial BNC connection cable, 1.83 m	
STP07	3069985	RJ45 Ethernet data cable, 2.13m	