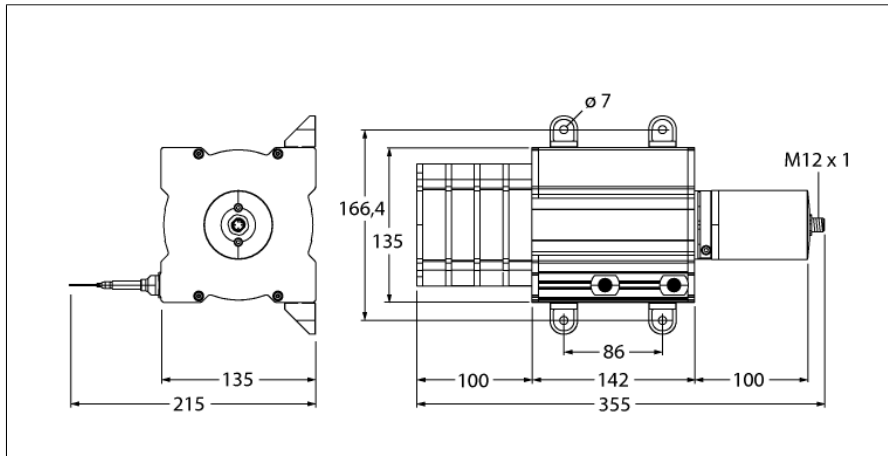


**Draw-Wire**  
**DW40000-135-PA-H1141**



- Measuring range up to 40000mm
- M12 connector
- Protection class: IP65
- Potentiometric output 1k Ohm
- Supply voltage max. 30 VDC

1	U <sub>B</sub>	+
2	out	
3	GND	
4	n.c.	

<b>Type code</b>	DW40000-135-PA-H1141
Ident no.	1544605
<b>Measuring range [A...B]</b>	40000mm
Linearity deviation	≤ 0.1 %
Ambient temperature	-20...+85 °C
<b>Operating voltage</b>	0...30VDC
Short-circuit protection	yes
Output function	3-wire, Potentiometer
<b>Housing material</b>	aluminium, titanium anodized
min. extension force	7 N
max. extension force	14.1 N
max. extension speed	5 m/s
max. extension speed	60 m/s <sup>2</sup>
wire material	Stainless steel
Connection	male, M12 x 1
Protection class	IP65

**Draw-Wire**  
**DW40000-135-PA-H1141**

**TURCK**

Industrial  
Automation

**Pin configuration**

Signal	+U <sub>s</sub>	Slider	Gnd	-	-	-	-	-	-
Pin configuration	1	2	3	4	-	-	-	-	-

**Draw-Wire**  
**DW40000-135-PA-H1141**

**TURCK**

Industrial  
Automation

**Accessories**

Type code	Ident no.	Description	Dimension drawing
RDR-1	1544753	Deflection roller for aluminium draw-wire sensors	