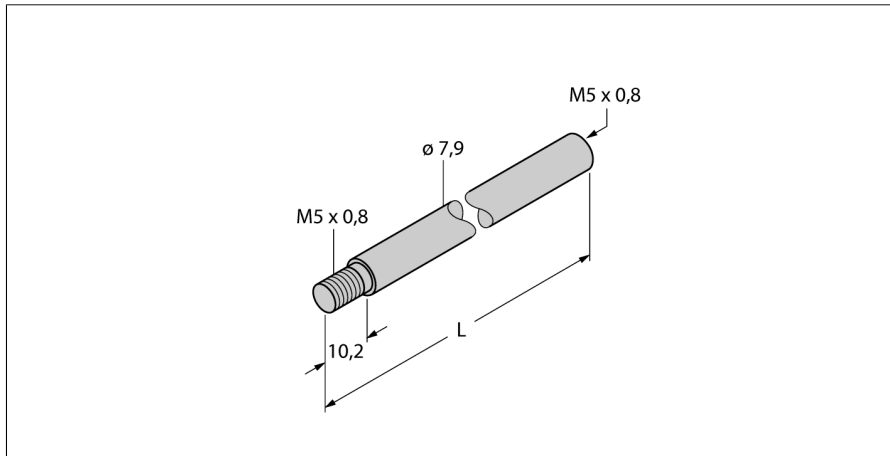


**Extension bar  
for positioning element  
CA200**

- Extension bar for the positioning element
- Length L = 200 mm

Type code	CA200
Ident no.	6901065
Housing material	metal