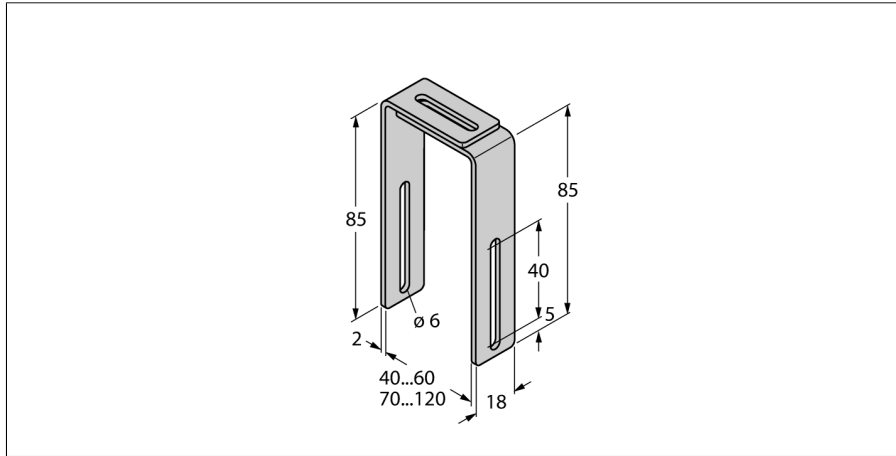


Mounting accessories
MB2.1-Q25



- Mounting bracket for linear position sensors Q25L for mounting on pneumatic cylinders
- For cylinder diameters 40-60 mm

General description

The sensor programme comprises inductive, magnetic-inductive, capacitive, photoelectric and ultrasonic sensors as well as pressure and flow controls.

A broad range of practice-oriented accessories ensure optimal adaption to your system.

Type code	MB2.1-Q25
Ident no.	6901027
Design	accessories for rectangular types
Included in scope of supply	4 pcs. mounting brackets