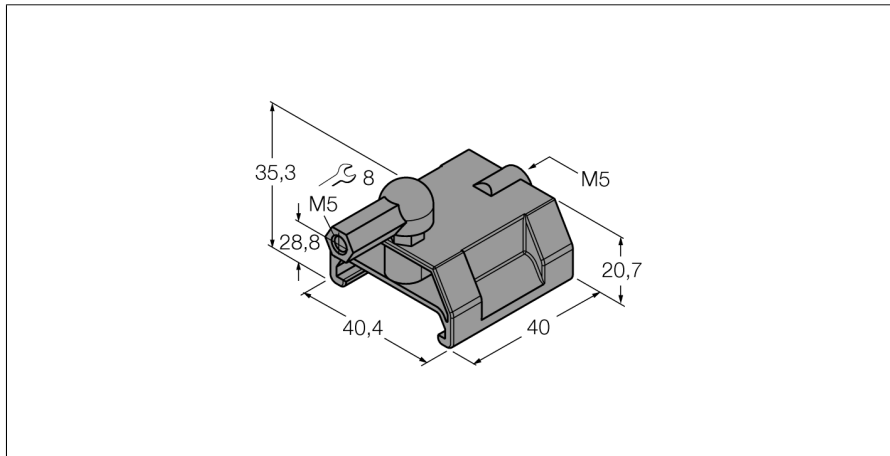


**Positioning element  
for linear position sensors Li-Q25L  
P1-Li-Q25L**



- Guided positioning element
- Positioning element inserted in the sensor guide.
- Ball joint for flexible mounting

<b>Type code</b>	P1-Li-Q25L
<b>Ident no.</b>	6901041
<b>Housing material</b>	plastic