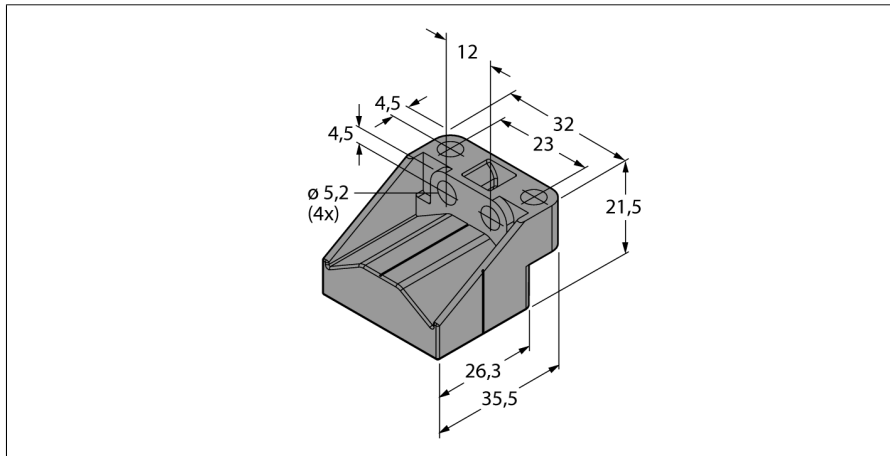


**Positioning element
for linear position sensors Li-Q25L
P2-Li-Q25L**

- Free positioning element
- Installation up to 4mm away from the sensor.

Type code	P2-Li-Q25L
Ident no.	6901042

Housing material	plastic
------------------	---------