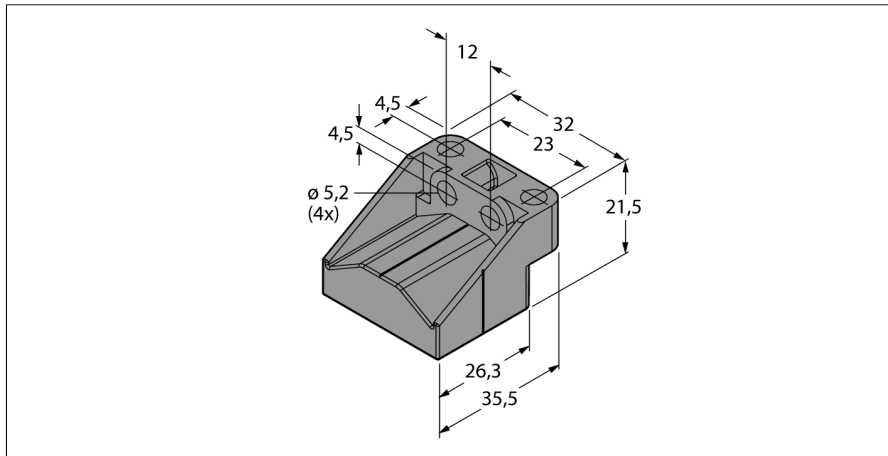


**Positioning element
for linear position sensors Li-Q25L
P3-Li-Q25L**



- Free positioning element
- 90° offset application
- Installation up to 4mm away from the sensor.

Type code	P3-Li-Q25L
Ident no.	6901044
Housing material	plastic