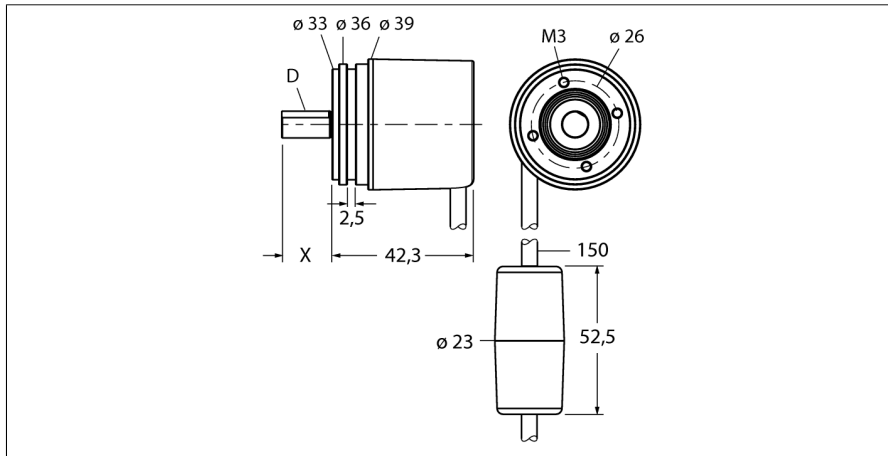


Rotative measurement
Absolute rotary encoder / Multiturn
RM-46S8S-3C24B-CT 1M



- Synchro flange, Ø 36mm
- Solid shaft, Ø 8mm x 15mm
- Optical measuring principle
- Shaft material, stainless steel
- Protection class IP67 on the shaft side
- -40...+85°C
- max. 10000 U / min (im Dauerbetrieb 8000)
- 10...30 VDC
- SSI, gray
- Cable connection, 8-pole
- Singleturn, 12 bit resolution
- Multiturn, 12 bit resolution

Type code	RM-46S8S-3C24B-CT 1M
Ident no.	1544521

Measuring principle	Photoelectric
max. Drehzahl	10.000 U/min
Starting torque	0.01 Nm
Ambient temperature	-40...+85 °C

Operating voltage	10...30VDC
No-load current I ₀	≤ 30 mA
Output current	≤ 30 mA
Short-circuit protection	yes
Output function	8-wire, SSI, Gray coded
Output type	absolute multiturn
Resolution single-turn	12 Bit
Resolution multiturn	12 Bit
Signal level high	typ. 3.8 V
Signal level low	typ. 1.3 V

Design	Solid shaft
Flange type	Synchro flange
Flange diameter	36 mm
Shaft type	Shaft
Shaft diameter D	8 mm
Shaft length X	15 mm
Shaft material	Stainless steel
Housing material	zinc, die-casting
Connection	cable
	tangential
cable length	1 m
Axial shaft load	20 N
Radial shaft load	40 N
Vibration resistance (EN 60068-2-6)	100 m/s ² , 55...2000 Hz
Shock resistance (EN 60068-2-27)	2500 m/s ² , 6 ms
Protection class housing	IP67
Protection class shaft	IP67

	WH	GND	
	BN	U _B	+
	GN	C	+
	YE	C	-
	GY	D	+
	PK	D	-
	BU	SET	
	RD	DIR	
	VT	STAT	
	PE	shield	

**Rotative measurement
Absolute rotary encoder / Multiturn
RM-46S8S-3C24B-CT 1M****Pin configuration**

Signal	Gnd	+U_e	C+	C-	D+	D-	SET	DIR	STAT
Core color	WH	BN	GN	YE	GY	PK	BU	RD	VT
Signal	PE	-	-	-	-	-	-	-	-
Core color	Shield	-	-	-	-	-	-	-	-

Rotative measurement
Absolute rotary encoder / Multiturn
RM-46S8S-3C24B-CT 1M

Accessories

Type code	Ident no.	Description	Dimension drawing
RMW-1	1544643	Spring arm for encoders; max. contact pressure 40 N; for encoders with measuring wheel	
RMW-2	1544644	Aluminium measuring wheel (cross-knurled) for encoders, perimeter 0.2 m, width 12 mm, depth 10 mm	
RMW-3	1544645	Hytrel measuring wheel (smooth) for encoders, perimeter 0.2 m, width 12 mm, temp.range -10...+50°C, depth 10 mm	
RMW-4	1544646	Hytrel measuring wheel (grooved) for encoders, perimeter 0.2 m, width 12 mm, temp.range -10...+70 °C, depth 10 mm	
RMW-5	1544647	Aluminium measuring wheel (cross-knurled) for encoders, perimeter 0.5 m, width 25 mm, depth 10 mm	

Rotative measurement
Absolute rotary encoder / Multiturn
RM-46S8S-3C24B-CT 1M

Accessories

Type code	Ident no.	Description	Dimension drawing
RMW-6	1544648	Hytrel measuring wheel (smooth) for encoders, perimeter 0.5 m, width 25 mm, temp.range -10...+50°C, depth 10 mm	
RMW-7	1544649	Vulkollan measuring wheel (smooth) for encoders, perimeter 0.5 m, width 25 mm, temp.range -30...+80°C, depth 10 mm	
RMW-8	1544650	Aluminium measuring wheel with knobby rubber surface for encoders, perimeter 0.5 m, width 25 mm, temp.range -30...+80°C, depth 10 mm	
RMW-9	1544651	Hytrel measuring wheel (grooved) for encoders, perimeter 0.5 m, width 25 mm, temp.range -10...50 °C, depth 10 mm	