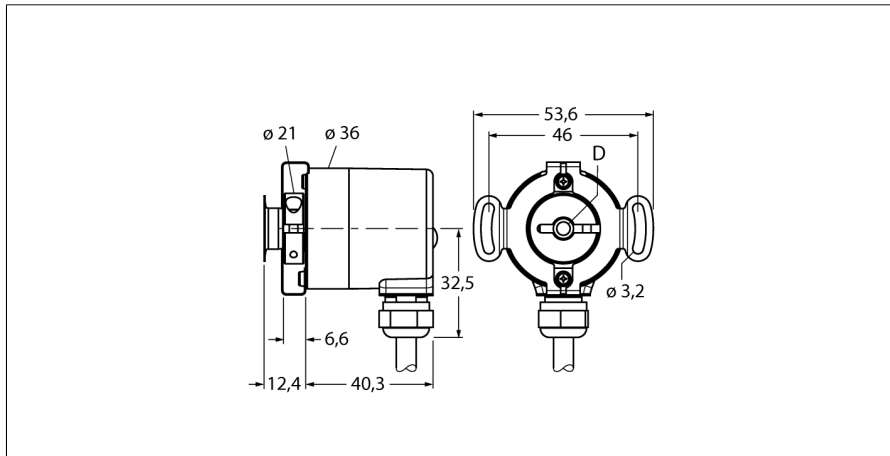


Rotative measurement
Absolute rotary encoder / single-turn
RS-07H6E-7A12B-C 1M



- Flange with stator coupling, Ø 36mm
- Hollow shaft, Ø 6mm
- Magnetic measuring principle
- Shaft material, stainless steel
- Protection class IP69K on the shaft side
- -40...+85°C
- max. 6000 rev/min
- 10...30 VDC
- Cable connection, 4-pin
- Analog output, 4...20 mA
- 360° transferred into 12 bit (4096 positions)

Type code	RS-07H6E-7A12B-C 1M
Ident no.	1544045
Measuring principle	Magnetic
max. Drehzahl	6.000 U/min
Starting torque	0.06 Nm
Measuring range	0...360°
Ambient temperature	-40...+85 °C
Operating voltage	10...30VDC
No-load current I ₀	≤ 38 mA
Short-circuit protection	yes
Output function	4-wire, analog output, 4...20mA
Output type	absolute singleturn
Resolution single-turn	12 Bit
Pulse frequency max.	300 kHz
Design	Hollow shaft
Flange type	Flange with stator coupling
Flange diameter	36 mm
Shaft type	Hollow shaft
Shaft diameter D	6 mm
Shaft material	Stainless steel
Housing material	zinc, die-casting
Connection	cable
	radial
cable length	1 m
Axial shaft load	20 N
Radial shaft load	40 N
Vibration resistance (EN 60068-2-6)	10 ... 2000 Hz, 300 m/s ² - rms
Shock resistance (EN 60068-2-27)	5000 m/s ² , 6 ms
Protection class housing	IP69k
Protection class shaft	IP69k

WH	GND
BN	U _B +
GN	analog out
YE	analog GND

Rotative measurement
Absolute rotary encoder / single-turn
RS-07H6E-7A12B-C 1M

Pin configuration

Signal	Gnd	+U _e	Analog out	Analog Gnd	-	-	-	-	-
Core color	WH	BN	GN	YE	-	-	-	-	-

Rotative measurement
Absolute rotary encoder / single-turn
RS-07H6E-7A12B-C 1M

Accessories

Type code	Ident no.	Description	Dimension drawing
RME-3	1544614	Stainless steel stator coupling for hollow shaft encoders, reference diameter 46 mm, for highly dynamic applications with axial and radial play	
RME-13	1544624	Plastic spring element for hollow shaft encoders, reference diameter 42 mm, for low dynamic applications with restricted axial play and limited mounting space.	
RME-14	1544625	Plastic spring element for hollow shaft encoders, reference diameters 44 mm, 60 mm, 63 mm, 65 mm, for low dynamic applications with high axial play.	