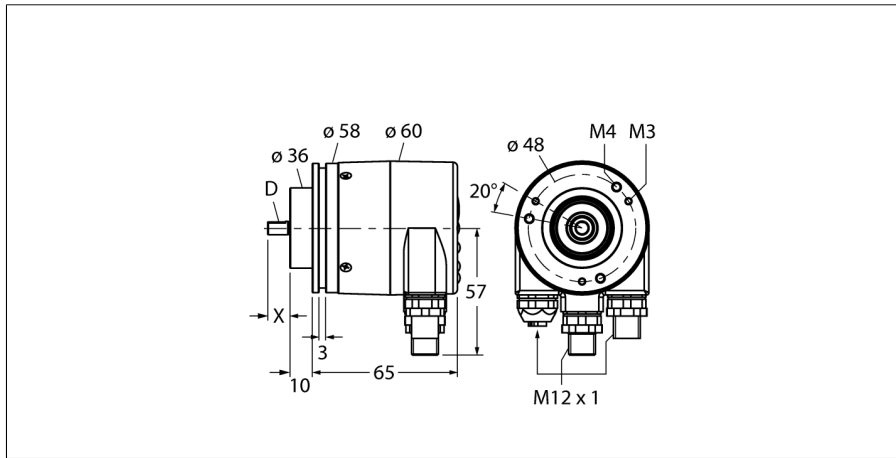


**Rotative measurement**  
**Absolute rotary encoder / single-turn**  
**RS-25S10C-9A16B-R3M12**



- Clamping flange, Ø 58 mm
- Solid shaft, Ø 10mm x 20mm
- Optical measuring principle
- Shaft material, stainless steel
- Protection class IP67 on the shaft side
- -40...+80°C
- max. 3000 rev/min
- PROFIBUS
- Removable bus cover with male connector, 3 x M12
- 360° transferred into 16 bit (65536 positions)
- Scalable, default value 13 bit

<b>Type code</b>	RS-25S10C-9A16B-R3M12
Ident no.	1544367
<b>Measuring principle</b>	Photoelectric
max. Drehzahl	3.000 U/min
Moment of inertia of the rotor	3 x10 <sup>-6</sup> kgm <sup>2</sup>
Starting torque	0.05 Nm
Measuring range	0...360°
Ambient temperature	-40...+80 °C
<b>Operating voltage</b>	10...30VDC
No-load current I <sub>0</sub>	≤ 110 mA
Output function	6-wire, PROFIBUS
Output type	absolute singleturn
Resolution single-turn	16 Bit scalable
<b>Design</b>	Solid shaft
Flange type	Clamping flange
Flange diameter	58 mm
Shaft type	Shaft
Shaft diameter D	10 mm
Shaft length X	20 mm
Shaft material	Stainless steel
Housing material	zinc, die-casting
Connection	bus connection 3 x M12
Axial shaft load	80 N
Radial shaft load	80 N
Vibration resistance (EN 60068-2-6)	100 m/s <sup>2</sup> , 55...2000 Hz
Shock resistance (EN 60068-2-27)	2500 m/s <sup>2</sup> , 6 ms
Protection class housing	IP67
Protection class shaft	IP67

**Rotative measurement  
Absolute rotary encoder / single-turn  
RS-25S10C-9A16B-R3M12****Pin configuration**

<b>Signal</b>	<b>BUS-A in</b>	<b>BUS-B in</b>	<b>Shield out</b>	<b>BUS_VDC out</b>	<b>BUS-A out</b>	<b>BUS_GND out</b>	<b>BUS-B out</b>	<b>Shield out</b>	<b>-</b>
<b>Signal -Pin</b>	<b>BUS in 2</b>	<b>BUS in 4</b>	<b>BUS in 5</b>	<b>BUS out 1</b>	<b>BUS out 2</b>	<b>BUS out 3</b>	<b>BUS out 4</b>	<b>BUS out 5</b>	<b>-</b>
<b>Power</b>	<b>U<sub>s</sub></b>	<b>-</b>	<b>0V</b>	<b>-</b>	<b>-</b>	<b>-</b>	<b>-</b>	<b>-</b>	<b>-</b>
<b>Power- Pin</b>	<b>1</b>	<b>2</b>	<b>3</b>	<b>4</b>	<b>5</b>	<b>-</b>	<b>-</b>	<b>-</b>	<b>-</b>

**Rotative measurement**  
**Absolute rotary encoder / single-turn**  
**RS-25S10C-9A16B-R3M12**

**Accessories**

Type code	Ident no.	Description	Dimension drawing
RFA-2	1544631	Aluminium flange adapter, rectangular, for solid shaft encoders with clamping flange; edge length 63.5mm; 3mm thick	
RFA-4	1544633	Euro flange – aluminium flange adapter for solid shaft encoders, Ø 115 mm; reference diameter 100 mm; adapts 58 mm clamping flange to Euro flange	
RFA-6	1544635	Aluminium flange adapter for solid shaft encoders with clamping flange, Ø 58 mm; adapts clamping flange to synchro flange	
RFA-7	1544636	Aluminium flange adapter for solid shaft encoders, Ø 65 mm; adapts to Ø 65 mm flange and 48 mm reference diameter	
RFA-8	1544637	Aluminium flange adapter for solid shaft encoders with clamping flange, Ø 70 mm; thickness 4 mm, adapts to Ø 70 mm flange	

**Rotative measurement**  
**Absolute rotary encoder / single-turn**  
**RS-25S10C-9A16B-R3M12**

**Accessories**

Type code	Ident no.	Description	Dimension drawing
RFA-9	1544638	Aluminium angle flange for solid shaft encoders with Ø 58 mm clamping flange	
RFA-11	1544640	Aluminium flange adapter for solid shaft encoders with clamping flange, Ø 70 mm; thickness 10mm, adapts to Ø 70 mm flange	
RFA-12	1544641	Aluminium flange adapter, rectangular, for solid shaft encoders with clamping flange; edge length 70mm; 10mm thick	
RFA-13	1544642	Aluminium flange adapter, rectangular, for solid shaft encoders with clamping flange; edge length 80mm; 4 mm thick	
RFA-1	1544630	Aluminium flange adapter, rectangular, for solid shaft encoders with clamping flange; edge length 58 mm; 4 mm thick	

**Rotative measurement**  
**Absolute rotary encoder / single-turn**  
**RS-25S10C-9A16B-R3M12**

**Accessories**

Type code	Ident no.	Description	Dimension drawing
RMW-1	1544643	Spring arm for encoders; max. contact pressure 40 N; for encoders with measuring wheel	
RMW-2	1544644	Aluminium measuring wheel (cross-knurled) for encoders, perimeter 0.2 m, width 12 mm, depth 10 mm	
RMW-3	1544645	Hytrel measuring wheel (smooth) for encoders, perimeter 0.2 m, width 12 mm, temp.range -10...+50°C, depth 10 mm	
RMW-4	1544646	Hytrel measuring wheel (grooved) for encoders, perimeter 0.2 m, width 12 mm, temp.range -10...+70 °C, depth 10 mm	
RMW-5	1544647	Aluminium measuring wheel (cross-knurled) for encoders, perimeter 0.5 m, width 25 mm, depth 10 mm	

**Rotative measurement**  
**Absolute rotary encoder / single-turn**  
**RS-25S10C-9A16B-R3M12**

**Accessories**

Type code	Ident no.	Description	Dimension drawing
RMW-6	1544648	Hytrel measuring wheel (smooth) for encoders, perimeter 0.5 m, width 25 mm, temp.range -10...+50°C, depth 10 mm	
RMW-7	1544649	Vulkollan measuring wheel (smooth) for encoders, perimeter 0.5 m, width 25 mm, temp.range -30...+80°C, depth 10 mm	
RMW-8	1544650	Aluminium measuring wheel with knobby rubber surface for encoders, perimeter 0.5 m, width 25 mm, temp.range -30...+80°C, depth 10 mm	
RMW-9	1544651	Hytrel measuring wheel (grooved) for encoders, perimeter 0.5 m, width 25 mm, temp.range -10...50 °C, depth 10 mm	