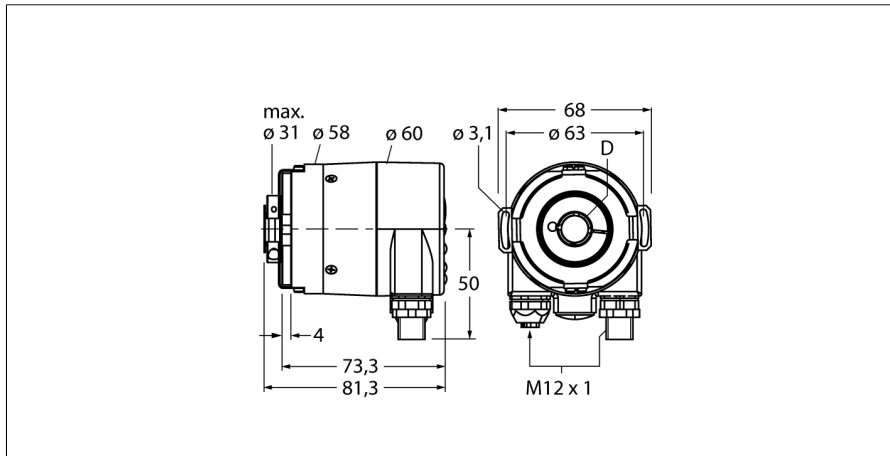


Rotative measurement
Absolute rotary encoder / single-turn
RS-33B12E-9A16B-R3M12



- Flange with stator coupling, Ø 58mm
- Blind hole hollow shaft, Ø 12 mm
- Minimum plug-in depth, 30 mm
- Optical measuring principle
- Shaft material, stainless steel
- Protection class IP67 on the shaft side
- -40...+80°C
- max. 3000 rev/min
- PROFIBUS
- Removable bus cover with male connector, 3 x M12
- 360° transferred into 16 bit (65536 positions)
- Scalable, default value 13 bit

Type code	RS-33B12E-9A16B-R3M12
Ident no.	1544434
Measuring principle	Photoelectric
max. Drehzahl	3.000 U/min
Moment of inertia of the rotor	6 x10 ⁻⁶ kgm ²
Starting torque	0.03 Nm
Measuring range	0...360°
Ambient temperature	-40...+80 °C
Operating voltage	10...30VDC
No-load current I ₀	≤ 110 mA
Output function	6-wire, PROFIBUS
Output type	absolute singleturn
Resolution single-turn	16 Bit scalable
Design	Hollow shaft
Flange type	Flange with stator coupling
Flange diameter	58 mm
Shaft type	Hollow shaft
Shaft diameter D	12 mm Blind hole hollow shaft, minimum plug-in depth 30mm
Shaft material	Stainless steel
Housing material	zinc, die-casting
Connection	bus connection 3 x M12
Axial shaft load	40 N
Radial shaft load	40 N
Vibration resistance (EN 60068-2-6)	100 m/s ² , 55...2000 Hz
Shock resistance (EN 60068-2-27)	2500 m/s ² , 6 ms
Protection class housing	IP67
Protection class shaft	IP67

**Rotative measurement
Absolute rotary encoder / single-turn
RS-33B12E-9A16B-R3M12****Pin configuration**

Signal	BUS-A in	BUS-B in	Shield out	BUS_VDC out	BUS-A out	BUS_GND out	BUS-B out	Shield out	-
Signal -Pin	BUS in 2	BUS in 4	BUS in 5	BUS out 1	BUS out 2	BUS out 3	BUS out 4	BUS out 5	-
Power	U _s	-	0V	-	-	-	-	-	-
Power- Pin	1	2	3	4	5	-	-	-	-

Rotative measurement
Absolute rotary encoder / single-turn
RS-33B12E-9A16B-R3M12

Accessories

Type code	Ident no.	Description	Dimension drawing
RME-1	1544612	Stainless steel stator coupling for hollow shaft encoders, reference diameter, 65 mm, for highly dynamic, standard applications with axial and radial play	
RME-2	1544613	Stainless steel stator coupling for hollow shaft encoders, reference diameter 63 mm, for applications with high demands on accuracy	
RME-4	1544615	Stainless steel mounting plate for hollow shaft encoders, reference diameter 80...170 mm, for low dynamic applications with axial and radial play	
RME-7	1544618	Stainless steel stator coupling for hollow shaft encoders, reference diameter 65mm, for highly dynamic applications with axial and radial play	
RME-8	1544619	Stainless steel mounting plate for hollow shaft encoders, reference diameter 65...91.5 mm, for applications with axial and radial play at constant rotation speed	

Rotative measurement
Absolute rotary encoder / single-turn
RS-33B12E-9A16B-R3M12

Accessories

Type code	Ident no.	Description	Dimension drawing
RME-9	1544620	Stainless steel mounting plate for hollow shaft encoders, reference diameter 64.5 mm, for low dynamic applications with axial and radial play	
RME-13	1544624	Plastic spring element for hollow shaft encoders, reference diameter 42 mm, for low dynamic applications with restricted axial play and limited mounting space.	
RME-14	1544625	Plastic spring element for hollow shaft encoders, reference diameters 44 mm, 60 mm, 63 mm, 65 mm, for low dynamic applications with high axial play.	