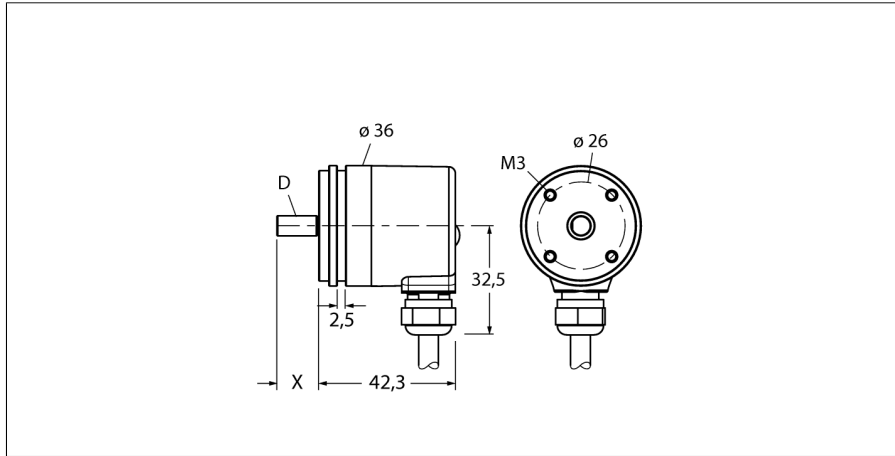


**Rotative measurement**  
**Absolute rotary encoder / single-turn**  
**RS-54S6S-5B9B-C 1M**



- Synchro flange, Ø 36 mm
- Solid shaft, Ø 6mm x 12.5mm
- Magnetic measuring principle
- Shaft material: stainless steel
- Protection class IP67 on the shaft side
- -40...+85°C
- max. 6000 rev/min
- 5...30 VDC
- SSI, binary
- Cable connection, 8-pole
- 360° transferred into 9 bit (512 positions)

<b>Type code</b>	RS-54S6S-5B9B-C 1M
Ident no.	1545231
<b>Measuring principle</b>	Magnetic
max. Drehzahl	6.000 U/min
Starting torque	0.06 Nm
Measuring range	0...360°
Ambient temperature	-40...+85 °C
<b>Operating voltage</b>	5...30VDC
No-load current I <sub>0</sub>	≤ 41 mA
Output current	≤ 30 mA
Short-circuit protection	yes
Output function	8-wire, SSI, Binary coded
Output type	absolute singleturn
Resolution single-turn	9 Bit
<b>Design</b>	Solid shaft
Flange type	Synchro flange
Flange diameter	36 mm
Shaft type	Shaft
Shaft diameter D	6 mm
Shaft length X	12.5 mm
Shaft material	Shaft with flat
Housing material	Stainless steel
Connection	zinc, die-casting
	cable
	radial
cable length	1 m
Axial shaft load	20 N
Radial shaft load	40 N
Vibration resistance (EN 60068-2-6)	10 ... 2000 Hz, 300 m/s <sup>2</sup> - rms
Shock resistance (EN 60068-2-27)	5000 m/s <sup>2</sup> , 6 ms
Protection class housing	IP67
Protection class shaft	IP67

WH	0 V	
BN	U <sub>B</sub>	+
BU	0 V sens	
RD	U <sub>B</sub> sens	+
GN	T	+
YE	T	-
GY	D	+
PK	D	-

**Rotative measurement  
Absolute rotary encoder / single-turn  
RS-54S6S-5B9B-C 1M****Pin configuration**

<b>Signal</b>	<b>Gnd</b>	<b>+U<sub>b</sub></b>	<b>GND<sub>Sens</sub></b>	<b>+U<sub>b</sub>sens</b>	<b>C+</b>	<b>C-</b>	<b>D+</b>	<b>D-</b>	<b>-</b>
<b>Core color</b>	<b>WH</b>	<b>BN</b>	<b>BU</b>	<b>RD</b>	<b>GN</b>	<b>YE</b>	<b>GY</b>	<b>PK</b>	<b>-</b>

**Rotative measurement**  
**Absolute rotary encoder / single-turn**  
**RS-54S6S-5B9B-C 1M**

**Accessories**

Type code	Ident no.	Description	Dimension drawing
RMW-1	1544643	Spring arm for encoders; max. contact pressure 40 N; for encoders with measuring wheel	
RMW-2	1544644	Aluminium measuring wheel (cross-knurled) for encoders, perimeter 0.2 m, width 12 mm, depth 10 mm	
RMW-3	1544645	Hytrel measuring wheel (smooth) for encoders, perimeter 0.2 m, width 12 mm, temp.range -10...+50°C, depth 10 mm	
RMW-4	1544646	Hytrel measuring wheel (grooved) for encoders, perimeter 0.2 m, width 12 mm, temp.range -10...+70 °C, depth 10 mm	
RMW-5	1544647	Aluminium measuring wheel (cross-knurled) for encoders, perimeter 0.5 m, width 25 mm, depth 10 mm	

**Rotative measurement**  
**Absolute rotary encoder / single-turn**  
**RS-54S6S-5B9B-C 1M**

**Accessories**

Type code	Ident no.	Description	Dimension drawing
RMW-6	1544648	Hytrel measuring wheel (smooth) for encoders, perimeter 0.5 m, width 25 mm, temp.range -10...+50°C, depth 10 mm	
RMW-7	1544649	Vulkollan measuring wheel (smooth) for encoders, perimeter 0.5 m, width 25 mm, temp.range -30...+80°C, depth 10 mm	
RMW-8	1544650	Aluminium measuring wheel with knobby rubber surface for encoders, perimeter 0.5 m, width 25 mm, temp.range -30...+80°C, depth 10 mm	
RMW-9	1544651	Hytrel measuring wheel (grooved) for encoders, perimeter 0.5 m, width 25 mm, temp.range -10...50 °C, depth 10 mm	