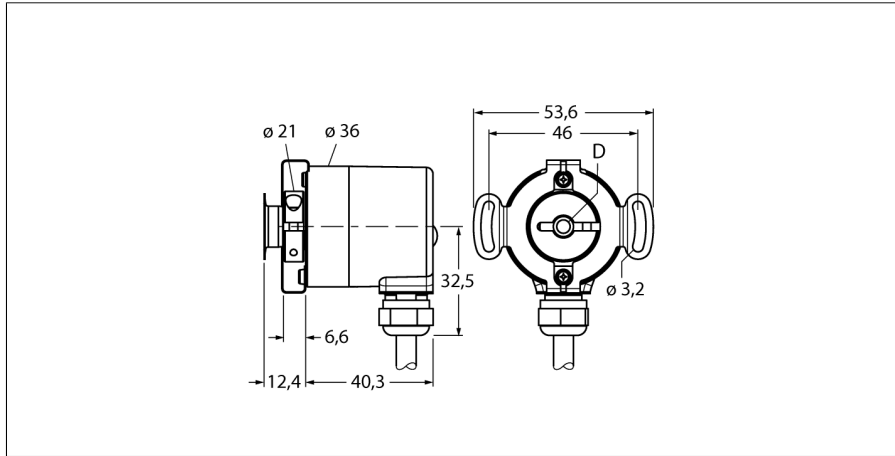


**Rotative measurement**  
**Absolute rotary encoder / single-turn**  
**RS-55H6E-5B9B-C 1M**



- Flange with stator coupling, Ø 36mm
- Hollow shaft, Ø 6mm
- Magnetic measuring principle
- Shaft material: stainless steel
- Protection class IP67 on the shaft side
- -40...+85°C
- max. 6000 rev/min
- 5...30 VDC
- SSI, binary
- Cable connection, 8-pole
- 360° transferred into 9 bit (512 positions)

<b>Type code</b>	RS-55H6E-5B9B-C 1M
Ident no.	1545233
<b>Measuring principle</b>	Magnetic
max. Drehzahl	6.000 U/min
Starting torque	0.06 Nm
Measuring range	0...360°
Ambient temperature	-40...+85 °C
<b>Operating voltage</b>	5...30VDC
No-load current I <sub>0</sub>	≤ 41 mA
Output current	≤ 30 mA
Short-circuit protection	yes
Output function	8-wire, SSI, Binary coded
Output type	absolute singleturn
Resolution single-turn	9 Bit
<b>Design</b>	Hollow shaft
Flange type	Flange with stator coupling
Flange diameter	36 mm
Shaft type	Hollow shaft
Shaft diameter D	6 mm
Shaft material	Stainless steel
Housing material	zinc, die-casting
Connection	cable
	radial
cable length	1 m
Axial shaft load	20 N
Radial shaft load	40 N
Vibration resistance (EN 60068-2-6)	10 ... 2000 Hz, 300 m/s <sup>2</sup> - rms
Shock resistance (EN 60068-2-27)	5000 m/s <sup>2</sup> , 6 ms
Protection class housing	IP67
Protection class shaft	IP67

WH	0 V	
BN	U <sub>B</sub>	+
BU	0 V sens	
RD	U <sub>B</sub> sens	+
GN	T	+
YE	T	-
GY	D	+
PK	D	-

**Rotative measurement**  
**Absolute rotary encoder / single-turn**  
**RS-55H6E-5B9B-C 1M**

**Pin configuration**

<b>Signal</b>	<b>Gnd</b>	<b>+U<sub>b</sub></b>	<b>GND<sub>Sens</sub></b>	<b>+U<sub>b</sub>sens</b>	<b>C+</b>	<b>C-</b>	<b>D+</b>	<b>D-</b>	<b>-</b>
<b>Core color</b>	<b>WH</b>	<b>BN</b>	<b>BU</b>	<b>RD</b>	<b>GN</b>	<b>YE</b>	<b>GY</b>	<b>PK</b>	<b>-</b>