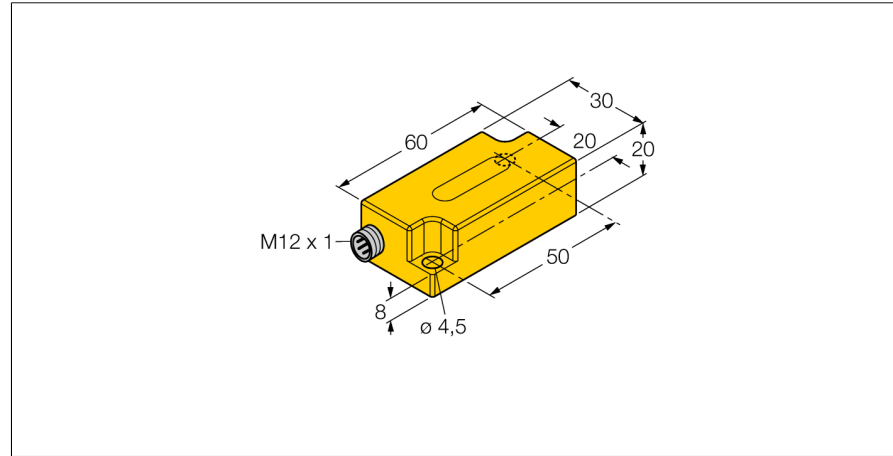
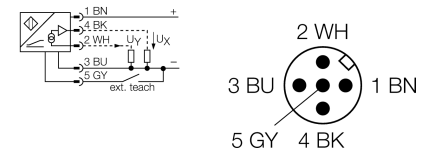


**Inclinometer  
B2N45H-Q20L60-2LU3-H1151**



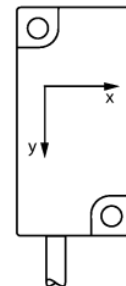
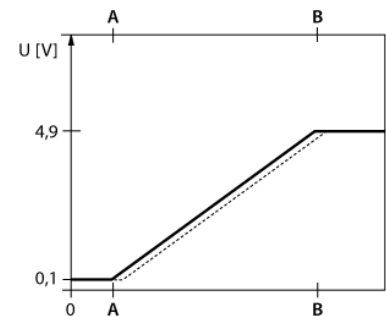
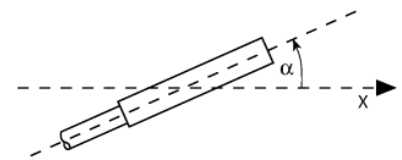
- Plastic, PC
- Zero point calibration +/- 15°
- Two analog outputs
- Male M12 x 1

**Wiring diagram**



**Functional principle**

Inclination is determined by a wear-free semi-conducting sensor element.

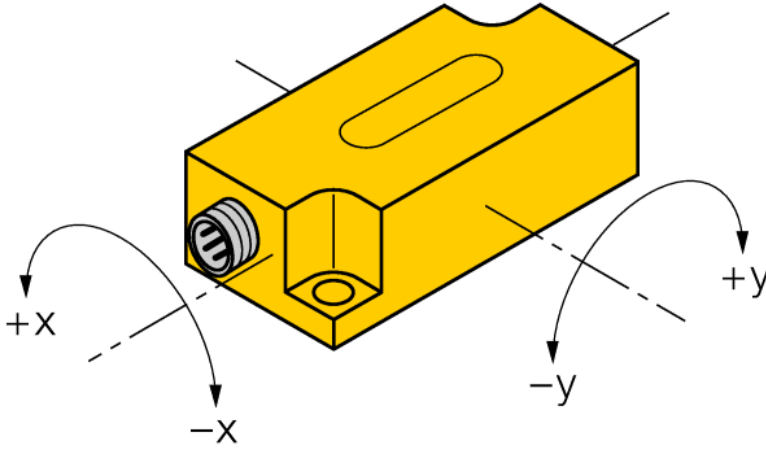


<b>Type code</b>	B2N45H-Q20L60-2LU3-H1151
Ident no.	1534007
<b>Measuring range</b>	-45...+45°
Measuring range x-axis	-45...+45°
measuring range y-axis	-45...+45°
Repeatability	≤ 0.2 % of measuring range  A - B  ≤ 0.1 %, after warm-up 0.5 h
Absolute accuracy (at 25 °C)	+/- 0.5 °
Temperature coefficient typical	0.03 °/K
Resolution	≤ 0.1 °
Ambient temperature	-30...+70 °C
<b>Operating voltage</b>	10...30VDC
No-load current I <sub>0</sub>	≤ 20 mA
Rated insulation voltage	≤ 0.5 kV
Wire breakage / Reverse polarity protection	yes/ yes
surge protection	-48...48VDC [U <sub>b,max</sub> ]
Output function	4-wire, analog output
Voltage output	0.1...4.9V
Load resistance voltage output	≥ 40 kΩ
Outout impedance	99...105Ω
Voltage output	Short circuit proof U <sub>s</sub> (= 10...30 VDC)
Response time	0.1 s time for the output signal to achieve 90% full scale if the angle changes from -45° to +45°
<b>Design</b>	rectangular, Q20L60
Dimensions	60 x 30 x 20 mm
Housing material	plastic, PC
Connection	male, M12 x 1
Vibration resistance	55 Hz (1 mm)
Shock resistance	30 g (11 ms)
Protection class	IP68 / IP69K
MTTF	203 years acc. to SN 29500 (Ed. 99) 40 °C

**Inclinometer**  
**B2N45H-Q20L60-2LU3-H1151**

Mounting instructions / Description

Tilt angle




# Inclinometer B2N45H-Q20L60-2LU3-H1151

**TURCK**

Industrial  
Automation

## Accessories

Type code	Ident no.	Description	Dimension drawing
VB2-SP3	6999085	Teach adapter	
SG-Q20L60	6901100	Protective frame for Q20L60; protects against mechanical impact; stainless steel	