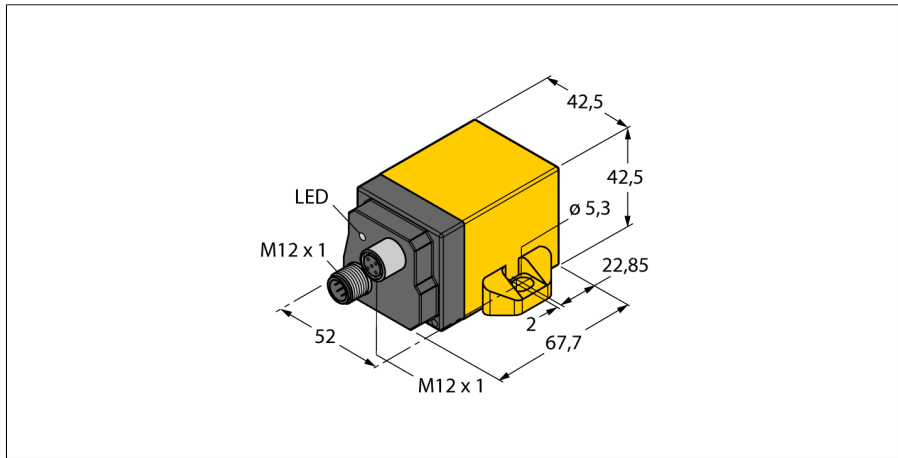


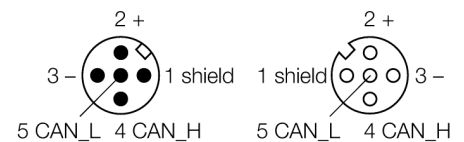
**Inclinometer  
with CANopen interface  
B2N10H-Q42-CN2-2H1150**



- Rectangular, height 42 mm
- Plastic, PBT-GF30-V0
- Convenient CANopen interface
- Fulfills CiA DS-301, CiA DSP-410
- High resolution and accuracy
- Baud rates of 10 kbps up to 1 Mbps
- High sampling rate and bandwidth
- Configurable vibro-stability
- One TPDO (RTR, cyclic, event-controlled, synchronized)
- Configuration via SDO and object directory
- SYNC consumer (synchronized transmission of TPDO after reception of SYNC telegram)
- EMCY producer (inclination, internal device temperature monitoring)
- Failure monitoring via heartbeat or node-guarding/lifeguarding
- Freely configurable limit frequency (digital filter)
- Robust and compact plastic housing

<b>Type code</b>	B2N10H-Q42-CN2-2H1150
Ident no.	1534061
<b>Measuring range</b>	0...10°
Measuring range x-axis	-10...10°
measuring range y-axis	-10...10°
Linearity deviation	max. ± 0.2 °
Temperature coefficient typical	0.008 °/K
Resolution	≤ 0.05 °
Ambient temperature	-40...+80 °C
<b>Operating voltage</b>	10...30VDC
Limit frequency	typ. 20 Hz, 2.(without digital filter) 0.3 ... 25 Hz, 8. (with Butterworth, low-pass) The digital filter is deactivated with the value 0. Values between 300 (= 0.3 Hz) and 25000 (= 25 Hz) are allowed.
Interface	CANopen
Node ID	1...127
Baud rate	10 kbps up to 1 Mbps admissible values 10 kbps, 20 kbps, 50 kbps, 125 kbps, 250 kbps, 500 kbps, 800 kbps and 1000 kbps
Sample rate	100 Hz
<b>Design</b>	rectangular, Q42
Dimensions	68 x 52 x 42 mm
Housing material	plastic, PA
Vibration resistance	55 Hz (1 mm)
Shock resistance	30 g (11 ms)
Protection class	IP68 / IP69K
MTTF	55 years
<b>Power-on indication</b>	LED green
Error indication	LED red

**Wiring diagram**



**Functional principle**

Inclination is determined by a wear-free semi-conducting sensor element.

For more technical details, please download the manual from our website.