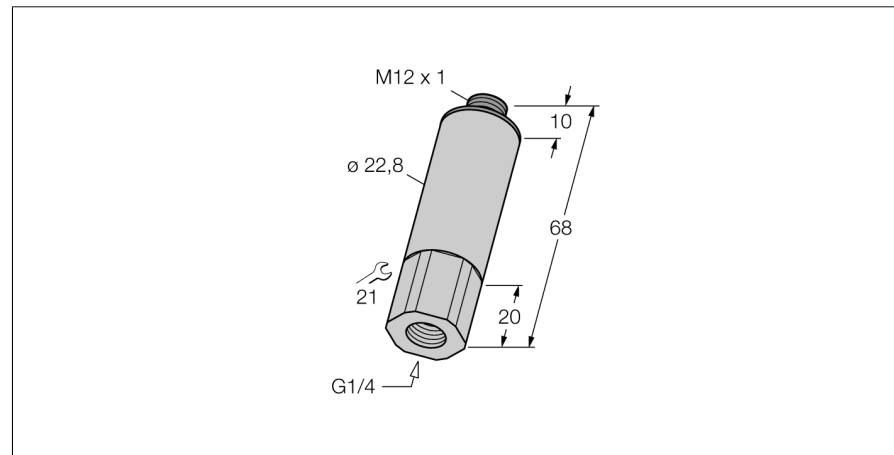
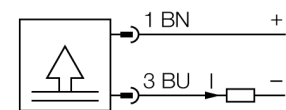


## Pressure transmitter with current output (2-wire) PT01VR-11-LI3-H1131



- Compact and robust design
- Pressure connection with integrated peak pressure aperture
- Minimum influence of temperature on accuracy within the entire temperature range of  $-40...+125^{\circ}\text{C}$
- Excellent EMC properties
- Pressure range  $-1...0$  bar

### Wiring diagram



### Functional principle

The pressure transmitters of the PT...-1 series operate with piezo-resistive ceramic measuring cells. The ceramic diaphragm is unbalanced in proportion to the pressure applied. Depending on the sensor type used, the processed signal is provided as an analog output signal  $4...20\text{mA}$  (2-wire) or  $0...10\text{V}$  (3-wire).

<b>Type code</b>	PT01VR-11-LI3-H1131
Ident no.	6831433
<b>Relative pressure</b>	$-1...0$ bar rel.
Operating range	$-14.5...0$ psi
Operating range	$-0.1...0$ MPa
Admissible overpressure	$\leq 3$ bar
Burst pressure	$\geq 3$ bar
<b>Power supply</b>	
Operating voltage	$8...33\text{VDC}$
No-load current $I_0$	$\leq 4$ mA
Protective measure	SELV according to EN 50178
Short-circuit/reverse polarity protection	yes/ yes
Protection type and class	IP67/ III
<b>Outputs</b>	
Output 1	analog output
<b>Analogue output</b>	
Current output	$4...20\text{mA}$
Operating range	$4...20$ mA (2-wire)
Load	$\leq 1$ k $\Omega$
Accuracy LHR analog output	$\pm 0.3$ % of final value BSL
Calibration accuracy 0-point	$0.3$ % of final value
Calibration accuracy, of final value	$0.3$ % of final value
Response time	$< 3$ ms
<b>Temperature behaviour</b>	
Medium temperature	$-40...125^{\circ}\text{C}$
Temperature coefficient zero point $T_{0s}$	$\pm 0.15$ % of full scale / $10$ K
Temperature coefficient span $T_{1s}$	$\pm 0.15$ % of full scale / $10$ K
<b>Ambient conditions</b>	
Ambient temperature	$-40...85^{\circ}\text{C}$
Storage temperature	$-40...+85^{\circ}\text{C}$
Vibration resistance	$20 \times g$ ( $9...2000$ Hz, $2...9$ Hz with an amplitude $\pm 15$ mm), acc. to IEC 68-2-6
Shock resistance	$100$ g ( $11$ ms) , according to IEC 61508
<b>Housing</b>	
Housing material	stainless-steel/plastic, V2A (1.4305)
material pressure connection	stainless steel A2 1.4305 (AISI 303)
material pressure element	ceramics $\text{Al}_2\text{O}_3$
Sealing material	FPM
Process connection	G $\frac{1}{4}$ " female thread
Wrench size pressure connection / coupling nut	SW21
Connection	male, M12 x 1

**Pressure transmitter  
with current output (2-wire)  
PT01VR-11-LI3-H1131**

**TURCK**

Industrial  
Automation

---

**Reference conditions acc. to IEC 61298-1**

temperature	15...25 °C
Atmospheric pressure	860...1060 hPa abs.
Humidity	45...75 % rel.
Auxiliary power	24 VDC